

ELECTRIC TILTING KETTLES - 150 LITRE

Electric, self contained, tilting kettle with worm drive tilt mechanism and 150lt capacity, 2/3 jacketed. Solid state controls for accurate temperature control ($\pm 1^{\circ}\text{C}$) and low water safety. All exterior surfaces are stainless steel.

STANDARD FEATURES

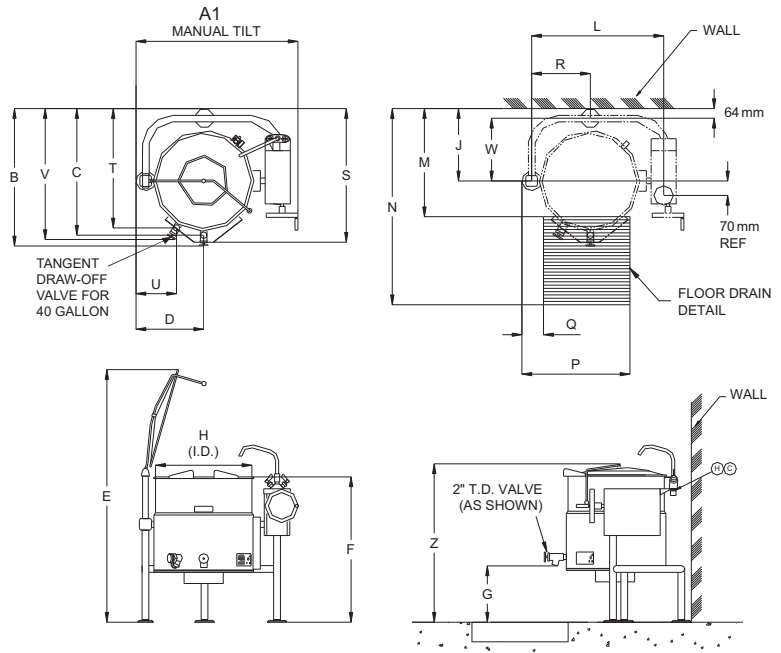
- Splash proof element cover with a double gasket seal
- Water resistant controls, splash-proof construction
- Large pouring lip for high capacity and chunky products
- 50 psi steam jacket rating for higher cooking temperatures
- Self-contained - needs only an electrical hook-up
- Steam jacket filled with treated water, venting and/or refilling is not required
- Re-inforced rolled rim design prevents damage to kettle rim, eliminates "bar rim designs"
- Welded-in heating elements, (holds vacuum better, won't leak or loose water)
- Contains "spare" element as contingency
- Easily cleaned: kettle and all exterior surfaces are of type 304 stainless steel with an #4 finish
- Solid state water level control (no sight glass gauge to break or leak)
- Tilt mechanism of roller bearings and case hardened self-locking worm and segment gear
- Tri-leg supports with level adjustable feet for floor bolting
- Accurate, consistent solid state temperature controls (mechanical thermostat not as accurate) - less than $\pm 1^{\circ}\text{C}$ variance (ideal for simmering). Operating temperature range from 63°C - 127°C
- Rear mounted easy access pressure gauge and pressure relief valve to prevent tampering.
- Heat Deflector Shield (HS001)

OPTIONAL FEATURES

- Pan Carrier (PCK)
- Flow Diverter (FD)
- Food Strainers (FS)
- Cooking Baskets and Tri-Basket Supports (BS and TBS)
- Kettle Accessory Kit (KAK) includes: Clean-up Brush (CB) - 914mm Kettle Paddle (KP), 914mm Kettle Whip (KW) - 914mm Kettle Brush, Draw-Off Brush (DB) - 24 oz. Ladle (KL)
- Lift-Off Covers (CL)
- Measuring Strip (MS)
- Kettle Markings (KM)
- Swing Funnels for drain (SW)
- Spring-assisted, hinged, rotatable, domed Stainless Steel Cover (CHS)
- 51mm diameter Tangent Draw-Off Valve (TD2)
- Hot and Cold Water Faucet with Swing Spout and Mounting Bracket (DPK)
- Type 316 Stainless Steel Kettle Liner (316)



KEL40T - OPT2 shown



KETTLE SHOWN WITH OPTIONAL SPRING ASSIST COVER, WATER FAUCET AND T.D. VALVE

TECHNICAL DATA
 Power Supply: 3NAC 415V 50Hz, 25.1 amp
 (Cable & Plug not included)

Total Output: 18.1kW
 Capacities (per kettle):
 (in 150 gram servings, other sizes may be calculated)
 40 gallons / 150 litres - 640 servings

SHIPPING DATA
 Shipping Weight: 166 kg
 Shipping Dimensions: 1117W x 1117D x 1372H mm

SPECIFICATIONS ARE SUBJECT TO CHANGE WITHOUT NOTICE.

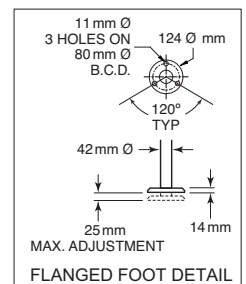
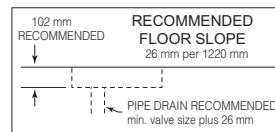
CODING GUIDE FOR OPTIONS

OPT	CHS and TD2
OPT1	316 Liner only
OPT2	CHS only
OPT4	TD2 only
OPT6	CHS TD2 and 316

*add OPT suffix to product code.

DIMENSIONS

LITRES	A1	B	C	D	E	F	G	H	J	L	M	N	P	Q	R	S	T	U	V	W	Z	
150	mm	1055				1740	1004	347	661	508	858	661	1423	724	140	428	959	864	140	943	445	1080



CLEARANCE
 RIGHT = 4.0" handle clearance
 LEFT = .00"
 REAR = 2.5"

WATER
 3/8" O.D. copper tube or 1/2" N.P.T. pipe.
 When ordered with optional faucet.

WA DEALER
PRACTICAL PRODUCTS PTY LTD

PH: 08 9302 1299
 51 Paramount Dr Wangara WA 6065
 sales@practicalproducts.com.au
 www.practicalproducts.com.au