

Electric, self contained, tilting single kettle, 45 litre capacity, 23 steam jacketed. Solid state controls for accurate temperature control ($\pm 1^{\circ}\text{C}$) and low water safety. All exterior surfaces are stainless steel.

STANDARD FEATURES

- Manual tilting, balanced design
- Self-contained, easily installed
- 50 psi steam jacket rating for higher cooking temperatures
- Solid state water level control
- Splash proof element cover with a double gasket seal
- Water resistant controls, splash-proof construction
- Large pouring lip for high capacity and chunky products.
- Welded-in heating elements
- Steam jacket filled with treated water, venting and/or refilling is not required
- Re-inforced rolled rim design prevents damage to kettle rim, eliminates "bar rim designs"
- Easily cleaned: kettle and all exterior surfaces are of type 304 stainless steel with an #4 finish
- Self locking marine type tilting mechanism prevents accidental spills. Balanced design makes it easy to tilt
- Accurate, consistent solid state temperature controls (mechanical thermostat not as accurate) - less than $\pm 1^{\circ}\text{C}$ variance (ideal for simmering). Operating temperature range from 63°C - 127°C
- Rear mounted easy access pressure gauge and pressure relief valve to prevent tampering

OPTIONAL FEATURES

- Stainless Steel Equipment Stand with Drain Drawer 450mm height. (ST-28)
- Optional Splash Guard for equipment stand. (SG-28)
- Hot and cold water faucet with swing spout. (DPK9)
- Cooking Baskets (BS)
- Food Strainers (FS)
- Measuring Strips (MS)
- Lift Off Cover (CL12)
- Kettle Markings (KM)
- 316 Stainless Steel kettle liner for high acid food products (316-G)
- Gear Box Tilting Mechanism (-TGB)

TECHNICAL DATA

Power Supply: 3NAC 415V 50Hz, 16.7 amp
(Cable & Plug not included)

Total Output: 12.1kW

Capacities (per kettle):
(in 115 gram servings, other sizes may be calculated)
12 gallons / 45 litres - 352 servings

SHIPPING DATA

Shipping Weight: 80kg

Shipping Dimensions: 711W x 991D x 1371H mm

SPECIFICATIONS ARE SUBJECT TO CHANGE WITHOUT NOTICE.

CODING GUIDE FOR OPTIONS

OPT1 316 Liner only

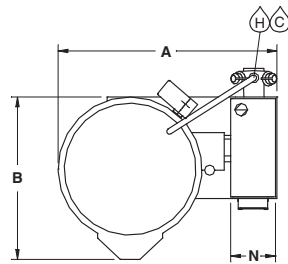
*add OPT suffix to product code.

CLEARANCE

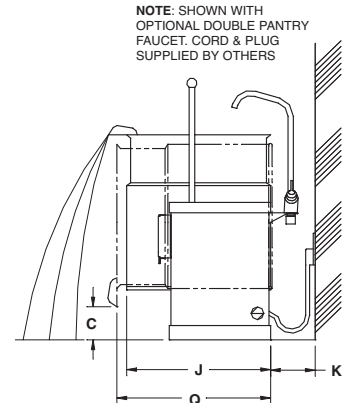
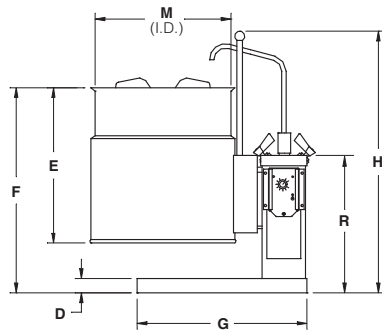
RIGHT = 0"
LEFT = 0"
REAR = See "K" on chart above.

DIMENSIONS

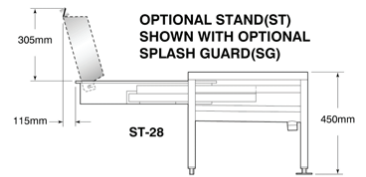
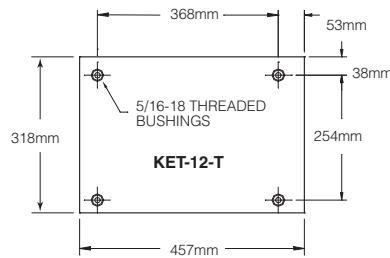
| MODEL | A | B | C | D | E | F | G | H | J | K | L | M | N | Q | R |
|----------|-------|-------|-------|------|-------|-------|-------|-------|-------|-------|-------|-------|-------|-------|-------|
| KET-12-T | 699mm | 508mm | 178mm | 38mm | 486mm | 632mm | 457mm | 864mm | 406mm | 152mm | 965mm | 425mm | 152mm | 457mm | 432mm |



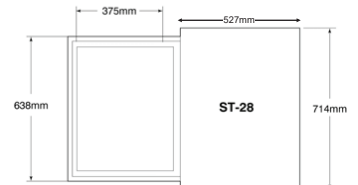
WATER
 $\frac{3}{8}$ " O.D. copper tube or
 $\frac{1}{2}$ " N.P.T. pipe.
 When ordered with
 optional faucet.



NOTE: SHOWN WITH
 OPTIONAL DOUBLE PANTRY
 FAUCET. CORD & PLUG
 SUPPLIED BY OTHERS



OPTIONAL STAND(ST) ONLY



BASE MOUNTING DIAGRAM