

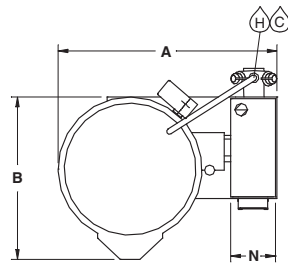
Electric, self contained, tilting single kettle, 23 litre capacity, 2/3 steam jacketed. Solid state controls for accurate temperature control ($\pm 1^{\circ}\text{C}$) and low water safety. All exterior surfaces are stainless steel.

STANDARD FEATURES

- Manual tilting, balanced design
- Self-contained, easily installed
- 50 psi steam jacket rating for higher cooking temperatures
- Solid state water level control
- Splash proof element cover with a double gasket seal
- Water resistant controls, splash-proof construction
- Large pouring lip for high capacity and chunky products.
- Welded-in heating elements
- Steam jacket filled with treated water, venting and/or refilling is not required
- Re-inforced rolled rim design prevents damage to kettle rim, eliminates "bar rim designs"
- Easily cleaned: kettle and all exterior surfaces are of type 304 stainless steel with an #4 finish
- Self locking marine type tilting mechanism prevents accidental spills. Balanced design makes it easy to tilt
- Accurate, consistent solid state temperature controls (mechanical thermostat not as accurate) - less than $\pm 1^{\circ}\text{C}$ variance (ideal for simmering). Operating temperature range from 63°C - 127°C
- Rear mounted easy access pressure gauge and pressure relief valve to prevent tampering

OPTIONAL FEATURES

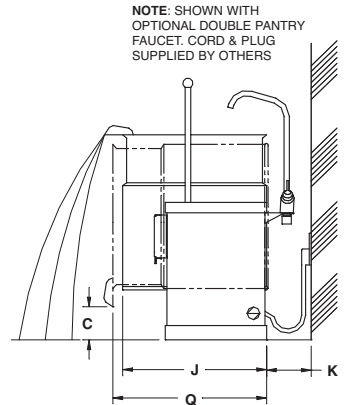
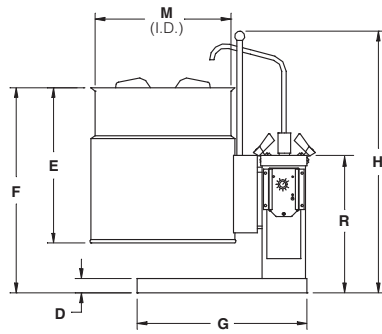
- Stainless Steel Equipment Stand with Drain Drawer 450mm height. (ST-28)
- Optional Splash Guard for equipment stand. (SG-28)
- Hot and cold water faucet with swing spout. (DPK9)
- Cooking Baskets (BS)
- Food Strainers (FS)
- Measuring Strips (MS)
- Lift Off Cover (CL6)
- Kettle Markings (KM)
- 316 Stainless Steel kettle liner for high acid food products (316-G)



WATER

$\frac{3}{8}$ " O.D. copper tube or $\frac{1}{2}$ " N.P.T. pipe.

When ordered with optional faucet.



NOTE: SHOWN WITH OPTIONAL DOUBLE PANTRY FAUCET. CORD & PLUG SUPPLIED BY OTHERS

TECHNICAL DATA

Power Supply: 3NAC 415V 50Hz, 10.5 amp
(Cable & Plug not included)

Total Output: 7.5kW

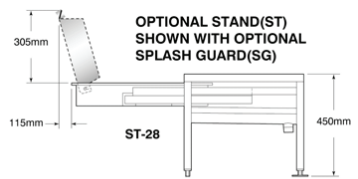
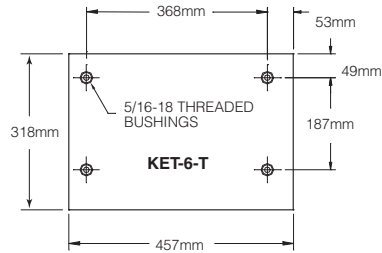
Capacities (per kettle):
(in 115 gram servings, other sizes may be calculated)
6 gallons / 23 litres - 192 servings

SHIPPING DATA

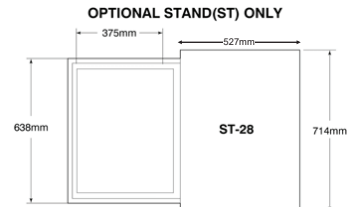
Shipping Weight: 64kg

Shipping Dimensions: 711W x 991D x 991H mm

SPECIFICATIONS ARE SUBJECT TO CHANGE WITHOUT NOTICE.



OPTIONAL STAND(ST) SHOWN WITH OPTIONAL SPLASH GUARD(SG)



OPTIONAL STAND(ST) ONLY

BASE MOUNTING DIAGRAM
CODING GUIDE FOR OPTIONS

OPT1 316 Liner only

*add OPT suffix to product code.

CLEARANCE

RIGHT = 0"
LEFT = 0"
REAR = See "K" on chart above.

DIMENSIONS

MODEL	A	B	C	D	E	F	G	H	J	K	L	M	N	Q	R
KET-6-T	610mm	432mm	165mm	38mm	419mm	572mm	457mm	724mm	394mm	152mm	864mm	337mm	152mm	438mm	432mm