

ELECTRIC TABLE TOP KETTLES—TWIN 23 LITRE

Electric, self contained, tilting twin kettle, 23 litre per side capacity, 23 steam jacketed. All exterior surfaces are stainless steel. Solid state controls for accurate temperature control.

STANDARD FEATURES

- Manual tilting, balanced design
- Space saving design through shared, centre console
- Self-contained
- Water resistant controls, splash-proof construction
- Large pouring lip for high capacity and chunky products
- 50 psi steam jacket rating for higher cooking temperatures
- Solid state water level control
- Splash proof element cover with a double gasket seal
- Welded-in heating elements
- Steam jacket filled with treated water, venting and/or refilling is not required
- Accurate, consistent solid state temperature controls (mechanical thermostat not as accurate) - less than $\pm 1^{\circ}\text{C}$ variance (ideal for simmering). Operating temperature range from 63°C - 127°C
- Reinforced rolled rim design prevents damage to kettle rim, eliminates "bar rim designs"
- Easily cleaned: kettle and all exterior surfaces are of type 304 stainless steel with an #4 finish
- Rear mounted easy access pressure gauge and pressure relief valve to prevent tampering.
- Self locking marine type tilting mechanism prevents accidental spills. Balanced design makes it easy to tilt

OPTIONAL FEATURES

- Stainless Steel Equipment Stand with Drain Drawer 450mm height. (ST-42)
- Optional Splash Guard for equipment stand (SG-42)
- Common Hot and Cold Water Faucet with Swing Spout. (DPK9)
- Kettle Markings (KM)
- Food Strainers (FS)
- Cooking Baskets (BS)
- Measuring Strips (MS)
- Lift Off Covers (CL)
- 316 Stainless Steel Kettle Liner for high acid products (316-G)

TECHNICAL DATA

Power Supply: 3NAC 415V 50Hz, 20.9 amp
(Cable & Plug not included)

Total Output: 15kW

Capacities (per kettle):
(in 115 gram servings, other sizes may be calculated)
6 gallons / 23 litres - 192 servings

SHIPPING DATA

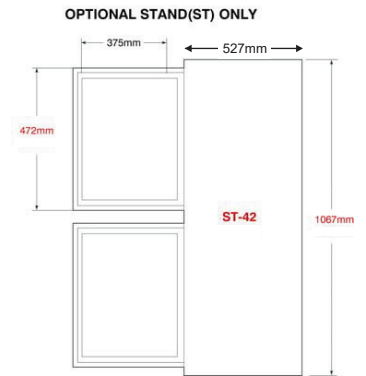
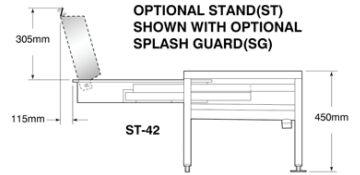
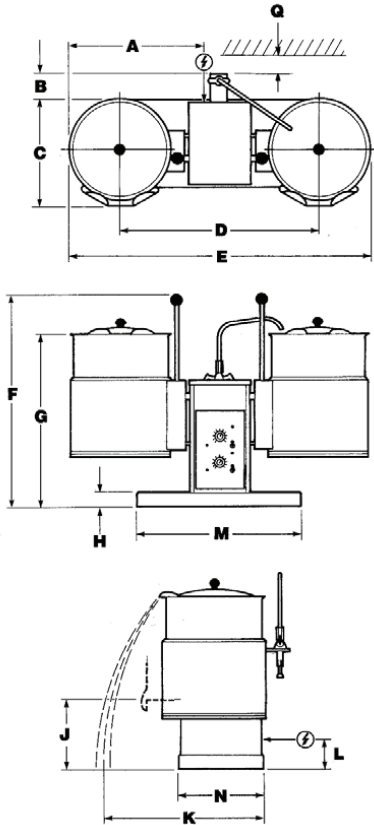
Shipping Weight: 100 kg

Shipping Dimensions: 711W x 1372D x 991H mm

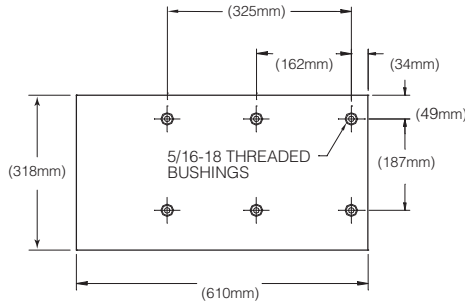
SPECIFICATIONS ARE SUBJECT TO CHANGE WITHOUT NOTICE.

CODING GUIDE FOR OPTIONS

OPT1 316 Liner only
*add OPT suffix to product code.



BASE MOUNTING DIAGRAMS (VIEW FROM BOTTOM OF BASE)



WATER

$\frac{3}{8}$ " O.D. copper tube or $\frac{1}{2}$ " N.P.T. pipe.

When ordered with optional faucet.

CLEARANCE

RIGHT = 0"
LEFT = 0"
REAR = See "Q" on chart above.

DIMENSIONS (mm)

Lt.	A	B	C	D	E	F	G	H	J	K	L	M	N	Q
23	525	110	425	743	1124	730	580	38	180	675	350	610	320	70