

## CSP6

### 600mm Gas Waterless Stockpot



CSP6

- 800mm compact depth
- Low 600mm potstand height
- Cobra suite matching
- 70 MJ/hr 18 jet Duckbill burner<sup>1</sup>
- High splashback with shelf
- Pot filling water laundry swivel arm on splashback
- Stainless steel deck
- Rear waste channel
- Stainless steel spill tray
- Cast iron potstand
- Suits up to 150L Stockpot
- Flame failure protection with pilot burner

#### OVERALL CONSTRUCTION

- Full chassis construction
- Double skin insulated deck
- Stainless steel exterior finish
- Heavy-duty cast iron pot stand
- Stainless steel spill tray
- 63mm dia. stainless steel legs with adjustable feet

#### CONTROLS

- Pilot On/Off control with flame failure valve
- Main burner On/Off valve with High-Low burner adjustment
- Quarter turn main burner control handles
- Quarter turn water valve handle

#### CLEANING AND SERVICING

- Stainless steel exterior finish
- Lift off potstand for full cleaning ability
- Slide out spill tray
- Rear waste channel with removable grate for debris collection
- Access to all parts from front and top for servicing



Duckbill burner

<sup>1</sup> NZ models Duckbill burner rating 105MJ/hr Natural Gas / 85MJ/hr on LP gas.

#### Matching Products



CW2H



CN4



CT9



CW3H



CW1H



CP4



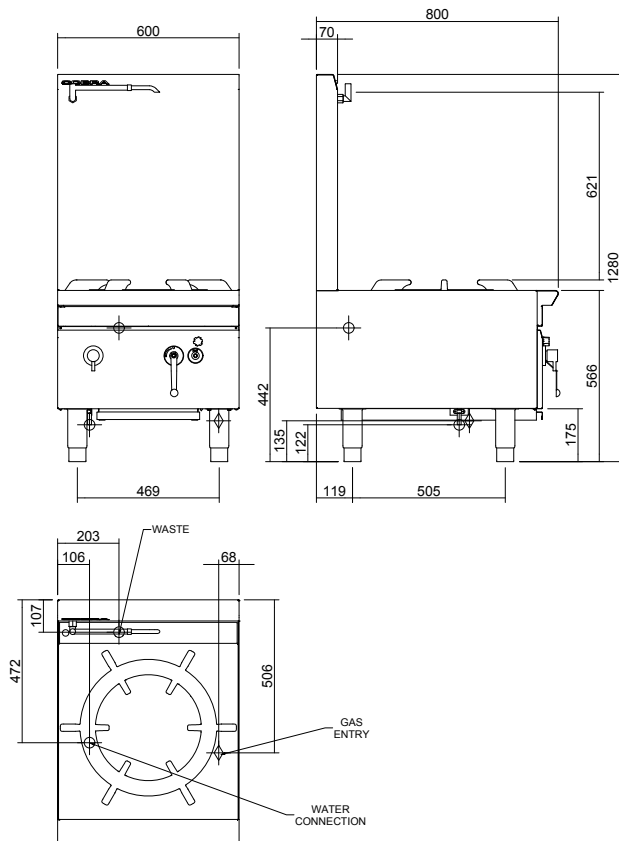
CS9 / C900-S



C6B

## CSP6

### 600mm Gas Waterless Stockpot



CSP6

#### SPECIFICATIONS

**Burners**  
70MJ/hr 18 jet Duckbill burner

**Gas Rating - Total**  
70MJ/hr

**Cooking area**  
Stock Pot area 600mm x 600mm  
Suits up to 150L stock pot

**Gas connection**  
R3/4 (BSP) male  
68mm from RH side, 506mm from rear, 135mm from floor

All units supplied with Natural-LP gas regulator  
Supplied gas regulator includes Test Point for appliance operating pressure  
Supplied regulator must be fitted to appliance gas connection when installed

**Water connection**  
Cold water connection  
1/2" O.D. copper tube  
106mm from LH side, 472mm from rear, 122mm from floor

**Drain connection**  
Connection to waste drain  
1-1/4" BSP male diameter drain  
waste 203mm from LH side, 107mm from rear, 442mm from floor

**Dimensions**  
Width 600mm  
Depth 800mm  
Height 566mm  
Incl. splashback 1280mm

**Nett weight**  
68kg

**Packing data**  
0.76m<sup>3</sup>, 118kg  
Width 635mm  
Depth 865mm  
Height 1382mm

**Gas types**  
Available in Natural gas and LP gas, please specify when ordering



Cert. No. AGA 4337G



**WA DEALER**  
**PRACTICAL PRODUCTS PTY LTD**

PH: 08 9302 1299  
51 Paramount Dr Wangara WA 6065  
sales@practicalproducts.com.au  
www.practicalproducts.com.au