

Modular Cooking Range Line 900XP Gas Pasta Cooker, 2 Wells, 40 litres



391411 (E9OODSBAME)

40+40-lt gas Pasta Cooker
 with 2 wells (AGA +
 Watermark) - Aus

Short Form Specification

Item No. _____

High efficiency 32 kW burners. Suitable for natural gas or LPG. Constant starch removal during the cooking process. The 40 liter tank is pressed in 316-L type stainless steel to protect against corrosion. Control panel with gas cock and piezo ignition. Safety thermostat prevents the machine from working without water. Height adjustable feet in stainless steel. Exterior panels in stainless steel. Worktop in 20/10, stainless steel. Right angled side edges eliminate gaps and possible dirt traps between units. WATERMARK compliant.

Main Features

- In addition to cooking pasta, the appliance can be used for noodles of every kind, rice, dumplings and vegetables.
- High efficiency 32 kW burners in stainless steel with flame failure device and power settings for each well, located below the well.
- Water basin in 316-L type Stainless steel.
- Water basin is seamlessly welded into the top of the appliance.
- Provided with integrated drip zone on which baskets can be placed for draining purposes.
- Automatic starch removal function during cooking: improved water quality over time.
- Automatic low-water level shut-off: no accidental over-heating.
- Easy-to-use control panel with gas cock and piezo ignition.
- All major compartments located in front of unit for ease of maintenance.
- Continuous water filling regulated through a manual water tap.
- Large drain with manual ball-valve for fast emptying of well.
- ESD available as accessory (installed separately): energy saving device uses heat produced by water drained through the overflow to pre-heat tap-in water up to 60°C, for constant water boiling.
- EnergyControl: unique feature for fine power adjustment to control boiling level and optimize energy consumption.
- Thermocouple device for added safety.
- Automatic lifting system (optional accessory): 200mm wide unit with three stainless steel basket supports, holding one GN 1/3 basket each, to be placed on either or both sides of machine to provide automatic lifting for six small portion baskets (to be ordered separately). Possibility to memorize nine cooking times through digital control.
- IPX5 water resistance certification.
- The special design of the control knob system guarantees against water infiltration.
- One piece pressed 2 mm work top in Stainless steel.
- Unit delivered with four 50 mm legs in stainless steel as standard (all round Stainless steel kick plates as option).
- 40 liters water basins.

Construction

- All exterior panels in Stainless Steel with Scotch Brite finishing.
- Model has right-angled side edges to allow flush fitting joints between units, eliminating gaps and possible dirt traps.

Included Accessories

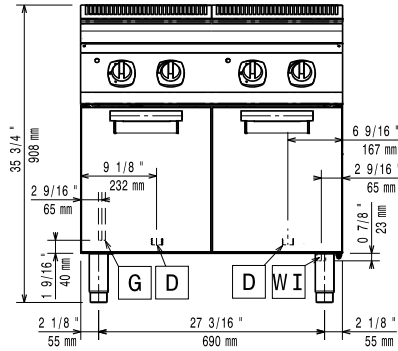
- 2 of Door for open base cupboard PNC 206350

APPROVAL: _____

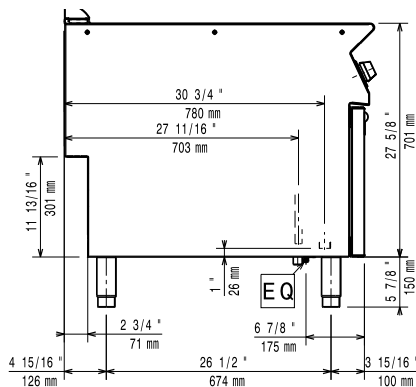
Optional Accessories

- | | | | |
|--|--|--|-------------------------------------|
| • Junction sealing kit | PNC 206086
<input type="checkbox"/> | • Rear paneling - 800mm (700/900) | PNC 206374 <input type="checkbox"/> |
| • Draught diverter, 150 mm diameter | PNC 206132
<input type="checkbox"/> | • Rear paneling - 1000mm (700/900) | PNC 206375 <input type="checkbox"/> |
| • Matching ring for flue condenser, 150 mm diameter | PNC 206133
<input type="checkbox"/> | • Rear paneling - 1200mm (700/900) | PNC 206376 <input type="checkbox"/> |
| • Kit 4 wheels - 2 swivelling with brake - it is mandatory to install Base support and wheels | PNC 206135
<input type="checkbox"/> | • Support frame for 2 pasta cooker basket (900XP) | PNC 206395 <input type="checkbox"/> |
| • Flanged feet kit | PNC 206136
<input type="checkbox"/> | • Chimney grid net, 400mm (700XP/900) | PNC 206400 <input type="checkbox"/> |
| • Frontal kicking strip for concrete installation, 800mm | PNC 206148
<input type="checkbox"/> | • 2 square baskets, left and right for 40lt pasta cooker | PNC 206433 <input type="checkbox"/> |
| • Frontal kicking strip for concrete installation, 1000mm | PNC 206150
<input type="checkbox"/> | • Side handrail-right/left hand (900XP) | PNC 216044 <input type="checkbox"/> |
| • Frontal kicking strip for concrete installation, 1200mm | PNC 206151 <input type="checkbox"/> | • Frontal handrail, 800mm | PNC 216047 <input type="checkbox"/> |
| • Frontal kicking strip for concrete installation, 1600mm | PNC 206152
<input type="checkbox"/> | • Frontal handrail, 1200mm | PNC 216049 <input type="checkbox"/> |
| • Pair of side kicking strips for concrete installation | PNC 206157
<input type="checkbox"/> | • Frontal handrail, 1600mm | PNC 216050 <input type="checkbox"/> |
| • Frontal kicking strip, 800mm (not for refr-freezer base) | PNC 206176
<input type="checkbox"/> | • 2 side covering panels for free standing appliances | PNC 216134 <input type="checkbox"/> |
| • Frontal kicking strip, 1000mm (not for refr-freezer base) | PNC 206177
<input type="checkbox"/> | • Large handrail - portioning shelf, 800mm | PNC 216186 <input type="checkbox"/> |
| • Frontal kicking strip, 1200mm (not for refr-freezer base) | PNC 206178
<input type="checkbox"/> | • 3x1/3GN baskets for 40lt pasta cookers | PNC 927210 <input type="checkbox"/> |
| • Frontal kicking strip, 1600mm (not for refr-freezer base) | PNC 206179
<input type="checkbox"/> | • 2x1/2GN baskets for 40lt pasta cookers | PNC 927211 <input type="checkbox"/> |
| • Pair of side kicking strips (not for refr-freezer base) | PNC 206180
<input type="checkbox"/> | • 3 round baskets diam. 181mm for 40lt pasta cookers (927219 must be ordered together) | PNC 927212 <input type="checkbox"/> |
| • 2 panels for service duct for single installation | PNC 206181 <input type="checkbox"/> | • 6 round baskets for 40-lt pasta cookers (927219 must be ordered together) | PNC 927213 <input type="checkbox"/> |
| • Lid and lid holder for 40lt pasta cookers | PNC 206190
<input type="checkbox"/> | • 1x1/1GN basket for 40lt pasta cookers | PNC 927216 <input type="checkbox"/> |
| • 2 panels for service duct for back to back installation | PNC 206202
<input type="checkbox"/> | • Grid support for 40lt pasta cooker round baskets | PNC 927219 <input type="checkbox"/> |
| • Kit 4 feet for concrete installation (not for 900 line free standing grill) | PNC 206210
<input type="checkbox"/> | • Pressure regulator for gas units | PNC 927225 <input type="checkbox"/> |
| • Set of ergonomic baskets for 40lt pasta cookers | PNC 206233
<input type="checkbox"/> | • Upper support frame to hold 6 round baskets for 40lt pasta cookers (alternative to 927219 for 6 round baskets) | PNC 960644 <input type="checkbox"/> |
| • 1 ergonomic basket for 40lt pasta cookers | PNC 206237
<input type="checkbox"/> | | |
| • False bottom for 40lt pasta cooker square baskets | PNC 206238
<input type="checkbox"/> | | |
| • Flue condenser for 1 module, 150 mm diameter | PNC 206246
<input type="checkbox"/> | | |
| • Chimney upstand, 800mm | PNC 206304
<input type="checkbox"/> | | |
| • Back handrail 800mm, Marine | PNC 206308
<input type="checkbox"/> | | |
| • Back handrail 1200mm, Marine | PNC 206309
<input type="checkbox"/> | | |
| • Energy saving device for pasta cookers | PNC 206344
<input type="checkbox"/> | | |
| • Door for open base cupboard | PNC 206350
<input type="checkbox"/> | | |
| • Automatic programmable Basket Lifting System for 40lt Pasta Cookers, 3 lifters | PNC 206353
<input type="checkbox"/> | | |
| • Base support for feet or wheels (lateral) for 23lt fryers, pastacookers (900XP) and refrigerated bases | PNC 206372
<input type="checkbox"/> | | |

Front

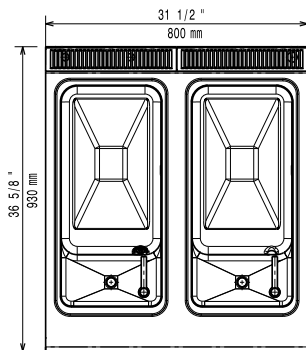


Side



D = Drain
 EQ = Equipotential screw
 G = Gas connection
 WI = Water inlet

Top



Gas

Gas Power:
 391411 (E9OODSBAME) 33 kW

Standard gas delivery: Natural Gas G20 (20mbar)

Gas Type Option: LPG; Natural Gas

Gas Inlet: 1/2"

Water:

Drain "D": 1"

Incoming Cold/hot Water line size: 3/4"

Total hardness: 5-50 ppm

Electrolux recommends the use of treated water, based on testing of specific water conditions. Please refer to user manual for detailed water quality information.

Key Information:

Usable well dimensions (width): 300 mm

Usable well dimensions (height): 260 mm

Usable well dimensions (depth): 520 mm

Well Capacity (MAX): 40 lt MAX

Net weight: 115 kg

Shipping weight: 94 kg

Shipping height: 1080 mm

Shipping width: 1020 mm

Shipping depth: 860 mm

Shipping volume: 0.95 m³

If appliance is set up or next to or against temperature sensitive furniture or similar, a safety gap of approximately 150 mm should be maintained or some form of heat insulation fitted.



WA DEALER
PRACTICAL PRODUCTS PTY LTD

PH: 08 9302 1299
 51 Paramount Dr Wangara WA 6065
 sales@practicalproducts.com.au
 www.practicalproducts.com.au