

Hob Mounted Pre-Rinse Unit with Spring Return, Dual Mixer Assembly and Pot Filler

FSB141

A heavy duty entry level pre-rinse assembly ideal for Cafe's, restaurants and kitchen applications

FEATURES

- Ultra-Rinse pre-rinse gun cleans more efficiently, requiring less water per minute. WELS 6 Star (4 lpm) water efficiency rating
- Separate hot and cold taps to provide either hot, cold water or mixed water
- Spring return allows the spray and hose to be pulled into the spraying position and to retract back from the washing area when released
- Pot filler to maximise efficiency and workspace.
- 350mm flexible hose connection to inlets



Product Code

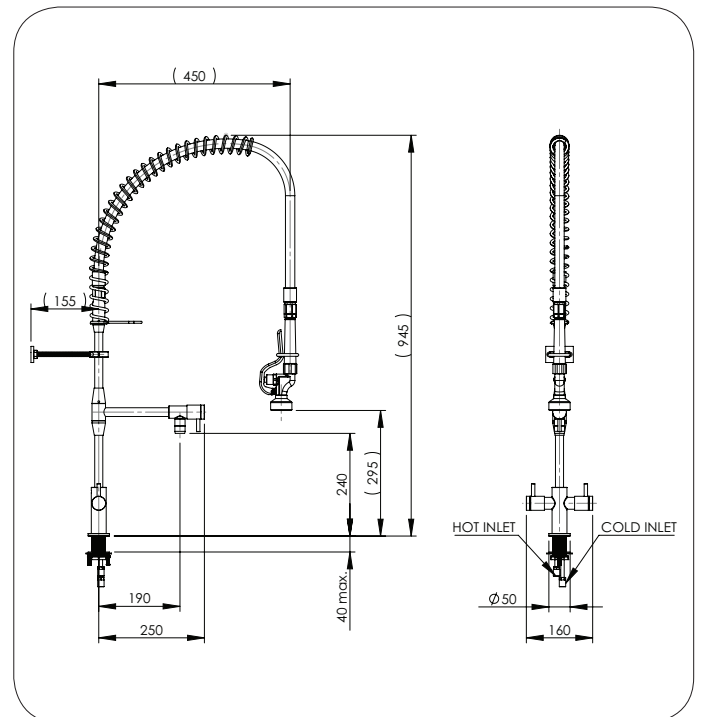
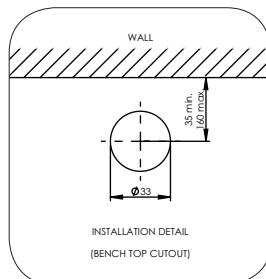
FSB141 Hob Pre Rinse Spray with Pot Filler

Technical Information

Inlet Connection (hot and cold)	½" BSP
Flow Rate - (Pot Filler aerator)	8 l/minute
Flow Rate - (Trigger Spray)	4 l/minute
Recommended Working Pressure	100 kPa (minimum) 500 kPa (maximum)
Operating Temperature Range Ceramic Disc	0-75 °C

Note: Must be installed with accessible isolation valve

Enware tapware must be installed in accordance with the provisions of AS/NZS3500 and any relevant local regulations. Installations not complying with AS/NZS3500 may void the product and performance warranty provisions. The performance of Enware AS/NZS 3718 tapware, in many cases, exceeds the plumbing system design requirements of the Plumbing Code of Australia and AS/NZS 3500. For optimum performance it is recommended that the control valves or taps be turned off when not in use overnight or for long periods.



WA DEALER
PRACTICAL PRODUCTS PTY LTD

PH: 08 9302 1299
51 Paramount Dr Wangara WA 6065
sales@practicalproducts.com.au
www.practicalproducts.com.au

