

# School Pattern Dual Mixer with SP010 Spout Anti-Vandal Aerator 6 Lpm - Jumper Valve



## VP370S

Enware's vandal resistant School Pattern tapware is constructed from dezincification resistant (DR) brass with durable chrome plating and an easy to clean design. The handle features a vandal resistant internal locking ring securing it to the spindle and requires a special key to remove.

### KEY FEATURES

- Jumper Valve
- SP010 standard sink spout
- 5 Star WELS (6 L/min)
- Anti-Vandal aerator
- Vandal resistant school pattern handle
- Blue (Cold) and Red (Hot) indicator buttons supplied standard. Yellow (Warm) available on request - specify when ordering.
- Serviceable with all wearing components replaceable, thus providing an even longer life
- Constructed from dezincification resistant (DR) brass
- Durable bright chrome finish



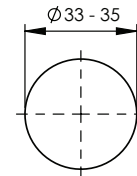
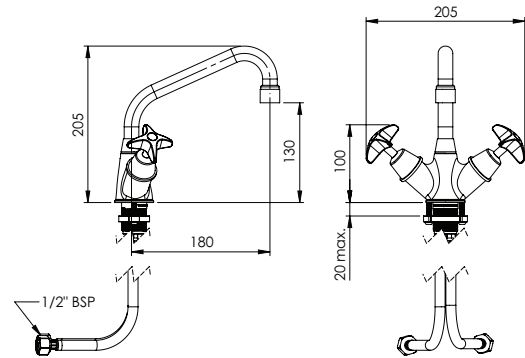
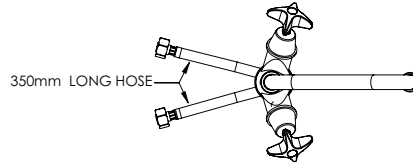
### PRODUCT CODES

VP370S	School Pattern Dual Mixer with SP010 Spout Anti-Vandal Aerator 6 Lpm - Jumper Valve
VP370X	School Pattern Dual Mixer with No Spout - Jumper Valve

# School Pattern Dual Mixer with SP010 Spout Anti-Vandal Aerator 6 Lpm - Jumper Valve

## TECHNICAL INFORMATION

Maximum Static Pressure	1200kPa
Working Pressure Range	50-500kPa
Maximum Working Temperature	95°C (Jumper Valve)



INSTALLATION DETAIL  
(BENCH TOP CUTOUT)



Enware products are to be installed in accordance with the Plumbing Code of Australia and AS/NZS3500. Reference should also be made to the Australasian Health facility Guidelines (AHFG), ABCB and Local Government regulations when considering the choice of, and the installation of these products.

Enware Australia advises:

1. Due to ongoing Research and Development, specifications may change without notice.
2. Component specifications may change on some export models.
3. Refer to warranty statement for warranty details - [www.enware.com.au/warranty](http://www.enware.com.au/warranty)

Version 1.0\_\_23Jun22



**WA DEALER**  
**PRACTICAL PRODUCTS PTY LTD**

PH: 08 9302 1299  
51 Paramount Dr Wangara WA 6065  
[sales@practicalproducts.com.au](mailto:sales@practicalproducts.com.au)  
[www.practicalproducts.com.au](http://www.practicalproducts.com.au)