



# Eswood

# Professional Warewasher

**UC25NDP**

Professional Undercounter Warewasher



# Eswood

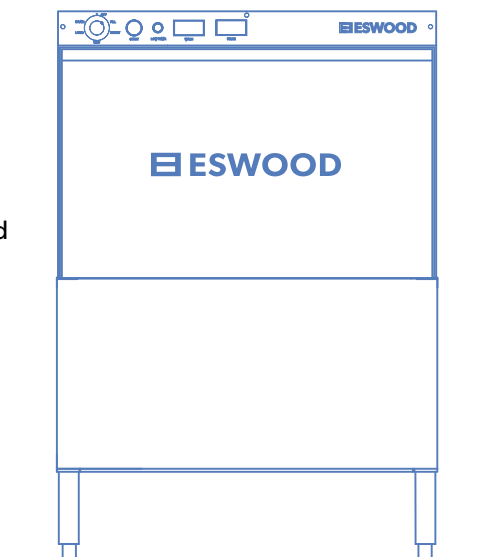
## Recirculating Undercounter Warewasher

UC25NDP is a compact recirculating dishwasher that suits all popular wash rack sizes. It is a fully automatic operation with a simple 'start' button after selecting the wash cycle.

Upper and lower wash arms with multiple jets has been designed to ensure maximum wash and rinse coverage. The boost heater is thermostatically controlled and interlocked to machine operation to ensure correct sanitising every time.

New is the drain pump, detergent and rinse aid injector fitted as standard. All new digital wash & rinse temperature displays for easy temperature recording in controlled environments.

The UC25NDP conforms to the highest of health and sanitary standards, meeting FSANZ safe food codes and certifications in HACCP and WaterMark.





---

Up to 500 plates per hour

---

---

Full width tank strainers and dual filtration

---

---

3 Wash programs to match degree of soil

---

---

Durable stainless-steel body construction and wash arms

---

---

Integrated drain pump as standard

---

---

Detergent and Rinse aid injector as standard

---

---

Safety cut-off fitted to door

---

---

Easily removable spray arms and filters

---

---

Accommodates 500 x 500 mm baskets

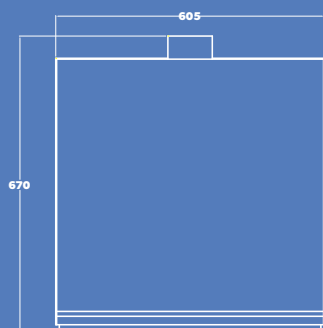
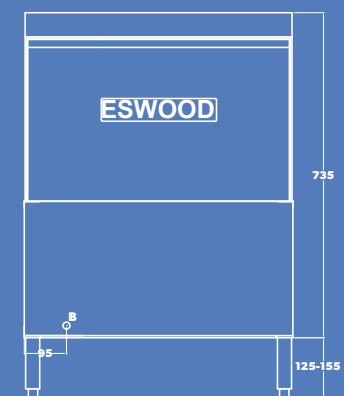
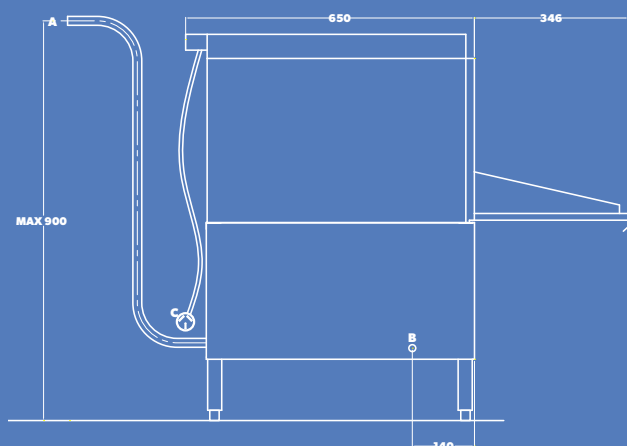
---

---

Accurate Digital wash & rinse temperature controllers and displays

---

- A. Drain connection 25mm OD x 20mm ID at 1.8m hose  
 B. Hot Water Connection 3/4" BSP x 1.5m braided hose  
 C. Electrical connection 2m 240V 15A plug



# UC25NDP

## Professional Undercounter Warewasher

### UC25NDP Specifications

<b>DIMENSIONS (WxDxH)</b>	605 x 670 x 875 mm
<b>DEPTH WITH DOOR OPEN</b>	1000 mm
<b>RACK SIZE – G74N (WxD)</b>	500 x 500 mm
<b>WEIGHT</b>	68 kg
<b>ELECTRIC CONNECTION</b>	15A Single Phase - 240V
<b>RATING</b>	3.6 kW
<b>WATER SUPPLY</b>	65°C / 2-4 bar (28-58 psi)
<b>PACKED</b>	0.3m <sup>3</sup>
<b>MEAL SERVICE</b>	30 – 60 pax
<b>WASH CYCLE</b>	60 sec 85 sec 115 sec
<b>DETERGENT INJECTOR</b>	Fitted
<b>RINSE AID INJECTOR</b>	Fitted
<b>DRAIN PUMP</b>	Fitted
<b>WATER CONSUMPTION</b>	3.5L Hot Cycle
<b>TANK CAPACITY</b>	18L
<b>WATERMARK APPROVAL</b>	WM-022833
<b>HACCP APPROVAL</b>	PE-388-GE-09

Dimensions may change without notice in accordance with product development and design



**WA DEALER**  
**PRACTICAL PRODUCTS PTY LTD**

PH: 08 9302 1299  
 51 Paramount Dr Wangara WA 6065  
[sales@practicalproducts.com.au](mailto:sales@practicalproducts.com.au)  
[www.practicalproducts.com.au](http://www.practicalproducts.com.au)