



Features

Fast, labor saving ice dispense

- store up to 1000 lb (454 kg) of ice
- eliminates the need to shovel or scoop ice from bin
- fill up to 8 x 8 lb (3.6 kg) bags a minute
- automatic agitation cycle prevents ice from forming bridges
- foot pedal and push-button actuation automatically dispenses ice at a rate of up to 120 lb (55 kg) per minute

Fresher ice

- first ice in is first ice out

Ice compatibility

- dispenses most cube ice up to 1.00" (2.54 cm) and customer preferred Chewblet® ice into most carts and containers

Durable, user-friendly construction

- bag stand adjusts to fit up to 20 lb (9 kg) ice bags and can be used to fill containers such as Totes™ ice carrier or small ice coolers
- bag stand removes to fit carts or coolers up to 29.50" (74.9 cm) tall
- corrosion-resistant poly bin
- dispensing components are easily removed for cleaning
- removable, lockable clear window prevents unauthorized access to ice and provides full access for cleaning
- access from front and side for maintenance
- bag holder pins quickly adjust for use with wire-wicket ice bags with 5.00" (12.7 cm) to 10.00" (25.4 cm) holes on center
- semi-automatic SA model features easy-to-use controls with adjustable time dispense and blower to open bags automatically

Warranty

- 2 years parts and labor

SA models include:

- 125 x 8 lb (3.6 kg) ice bags and reorder information
- bag stand
- cleaning brush and bracket

| Model configurations | | | |
|-------------------------|---|------------|---------------------------|
| Ice storage capacity | Dispense | Voltage | Item number |
| 1000 lb (454 kg) | bagging and filling carts or containers | 220 V/60/1 | DB1000SA |
| | | 230 V/50/1 | EDB1000SA |
| | filling cart or containers | 220 V/60/1 | DB1000¹ |

¹ Not for use in bagging applications. Does not include bagging components – timed dispense, automatic bag opener, and bag holding pins.

Accessories

- 8 lb (3.6 kg) ice bags (item# 00116434)
- 20 lb (9 kg) ice bags (item# 00138370)
- Bostitch® P-7 C-ring plier for closing bags (item# 00137711)
- Staples, aluminum blunt-end C-rings for Bostitch P-7 plier (item# 00137729)
- Leg extension elevates unit 6.50" (16.51 cm) for use with taller carts and containers (supplied by others); includes adjustable bag stand to accommodate bag sizes up to 40 lb (18 kg) (item # ABLEGEXT)
- Jug and cooler filling kit (item # 00979583)
- Reinforced top and drain pan assembly for Vogt ice machines

Specification

| | |
|--|--|
| Maximum bin capacity ¹ | 1000 lb (454 kg) |
| Cubic capacity | 33.3 cu ft (0.94 cu m) |
| W1 Width | 52.00" (132.1 cm) |
| W2 Width, bin top | 49.12" (124.8 cm) |
| D1 Depth, bin top | 33.75" (85.7 cm) |
| D2 Depth, bin with cover | 45.50" (115.6 cm) |
| D3 Depth, bin with bag stand | 46.75" (118.7 cm) |
| H1 Height ² | 71.75" (182.2 cm) adjustable |
| W3 Drip tray width | 16.75" (42.5 cm) |
| D4 Drip tray depth | 10.12" (25.7 cm) |
| D5 Depth, bin without cover | 34.00" (86.4 cm) |
| B1 Dispense clearance | 31.00" (78.7 cm) |
| B2 Bag stand dispense clearance | 27.38" (69.5 cm) |
| Installation clearance | 34.25" (87.0 cm) wide door access |
| Service clearance | 12.00" (30.5 cm) left side |
| C1 Electrical 220 V/60/1 | 15 amps. 7' (2.1 m) cord with NEMA 6-15 plug. |
| C2 Electrical 230 V/50/1 | 5 amps, max. fuse 15 amps. Cord only. Wire in accordance with all local codes. |
| L1 Drain ³ | 1.00" FPT |
| Dispense rate | up to 120 lb (55 kg) per minute |
| Ice compatibility | non-flake up to 1.00" (2.54 cm) square |
| Shipping weight | 704 lb (319 kg) |

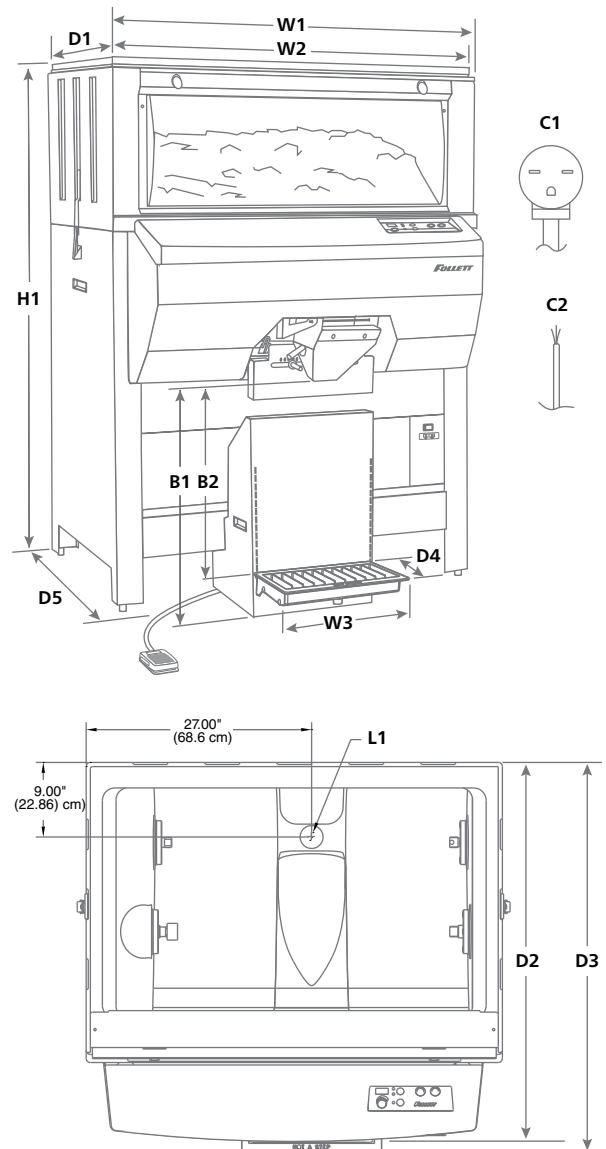
NOTES: For indoor use only

SHORT FORM SPECIFICATION (Choose one): Automatic ice storage and dispensing system to be Follett _____ 220 V/60 Hz DB1000SA or _____ 230 V/50 Hz EDB1000SA with elevated bin and base. Bin to hold up to 1000 lb (454 kg) of ice. Dispense rate to be approximately 120 lb (55 kg)/min. Two position ice discharge chute with selector lever allows filling of bags or other containers. Lockable clear inspection window shall have interlock switch to prevent operation if window is removed. Hopper to be constructed of double wall rotationally molded polyethylene insulated with non-CFC polyurethane foam. Heavy-duty agitation system includes two stainless steel agitators and motors. Dispense auger to be rotationally molded plastic, driven by 1/4 HP motor. Activation of the dispensing function shall be controlled by push-button and foot pedal. Dispenser shall be equipped with holding pins for bags, time dispense, and blower function for automatically opening bags. DB1000SA and DB1000 are NSF, UL and cUL listed. EDB1000SA is CE listed.

Notes:

- ¹ Computed on cubic volume of bin. Does not reflect voids that can occur due to pyramiding.
 - ² Special top required for ice machines weighing more than 800 lb (363 kg). Add 2.12" (5.40 cm) to height. Contact factory.
 - ³ Follett recommends installation of a floor drain with grate with all ice storage bins.
- Local food regulations vary. Please check with your local authorities for requirements for packaged ice.

Dimensional drawing



Bostitch is a registered trademark of Stanley Black and Decker.
ICE PRO and TOTES are trademarks of Follett LLC.
CHEWBLET and FOLLETT are registered trademarks of Follett LLC, registered in the US.
Follett reserves the right to change specifications at any time without obligation. Certifications may vary depending on country of origin.

WA DEALER
PRACTICAL PRODUCTS PTY LTD

PH: 08 9302 1299
51 Paramount Dr Wangara WA 6065
sales@practicalproducts.com.au
www.practicalproducts.com.au



Follett Europe Polska Sp. z o.o.
Mokry Dwór 26C 83-021 Wiślna, Poland
+48 (58) 785-6140 | Fax: +48 (58) 785-6159
folletteurope.com

801 Church Lane | Easton, PA 18040, USA
1.610.252.7301 | Fax: +1.610.250.0696 | follette.com

FOLLETT