



FPGWORLD.COM

INLINE

3000 SERIES BAIN MARIE 1200 IN-COUNTER/CURVED HEATED

| | |
|--------------|-------------------------------|
| RANGE | INLINE 3000 SERIES BAIN MARIE |
| TEMPERATURE | HEATED |
| MODEL | IN-3B12-CU-FF-IC |
| FRONT | CURVED/FIXED FRONT |
| INSTALLATION | IN-COUNTER |
| HEIGHT | 761mm |
| WIDTH | 1203mm |
| DEPTH | 663mm |

| | |
|--------------------------------------|----------------|
| TEMPERATURE RANGE | +30°C - +110°C |
| RECOMMENDED CORE PRODUCT TEMPERATURE | > +65°C |
| ENVIRONMENTAL TEST CONDITIONS | 22°C / 65% RH |



FEATURES

- High energy efficiency: 1.2 kWh per hour (average)
- Cabinet operating temperature range +30°C - +110°C
Recommended core product temperature >+65°C
- Smart display with toughened safety glass encased in brushed stainless steel frame

Fixed Front Heated Display

- Fitted with halogen heat lamps, with 3000 hour warm white lighting
- Supplied with 3x 1/1 gastronorm dishes 65mm deep
- Extrusion at top of display area accommodates insert for branding

Operational Excellence

- Sliding doors (staff side) and fixed front (customer side)
- Constructed from stainless and mild steel with toughened safety glass and double-glazed end panels for maximum energy efficiency, climate control and durability
- Low-wattage, high-density element provides even temperature distribution
- Dry operation well only
- Designed to be installed into joinery



Showing : Inline 3000 Series Bain Marie heated 1200mm curved in-counter fixed front

OPTIONS & ACCESSORIES

- Add a holding shelf
- Branded decals/insert
- Rear door or end glass mirror application
- GN pans (various sizes)
- GN dividers
- Custom joinery solution



HEATED DATA

| MODEL | TEMPERATURE RANGE | RECOMMENDED CORE PRODUCT TEMPERATURE | ENVIRONMENTAL TEST CONDITIONS | HEATING |
|------------------|-------------------|--------------------------------------|-------------------------------|--|
| IN-3B12-CU-FF-IC | +30°C - +110°C | > +65°C | 22°C / 65% RH | Low-wattage, high-density element / 2x 100 watt linear halogen |

ELECTRICAL DATA

| MODEL | VOLTAGE | PHASE | CURRENT | E24H (kWh) | kWh per hour (average) | IP RATING | MAINS | | HEAT LAMPS | HALOGEN LIGHTING | |
|------------------|-----------|--------|---------|------------|------------------------|-----------|-----------------------|------------------------------|----------------------------|------------------|------------|
| | | | | | | | CONNECTION | CONNECTION PLUG ¹ | | HOURS | COLOUR |
| IN-3B12-CU-FF-IC | 220-240 V | Single | 7.5 A | 28.8 | 1.2 | IP 22 | 3 metre, 3 core cable | 10 amp, 3 pin plug | 2x 100 watt linear halogen | 3000 | Warm white |

¹Please advise country to change plug specification.

CAPACITY, ACCESS & CONSTRUCTION

| MODEL | DISPLAY AREA | NO. OF 1/1 PANS | ACCESS FRONT | ACCESS REAR | CHASSIS CONSTRUCTION |
|------------------|---------------------|-----------------|--------------|---------------|------------------------------|
| IN-3B12-CU-FF-IC | 0.45 m ² | 3 | Fixed front | Sliding doors | Stainless 304 and mild steel |

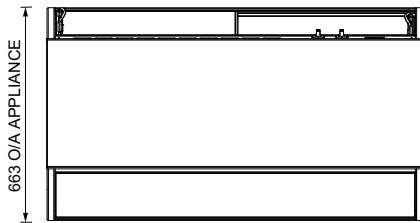
DIMENSIONS

| MODEL | H x W x D mm (Uncrated) | MASS (Uncrated) |
|------------------|-------------------------|-----------------|
| IN-3B12-CU-FF-IC | 761 x 1203 x 663 | 92 kg |

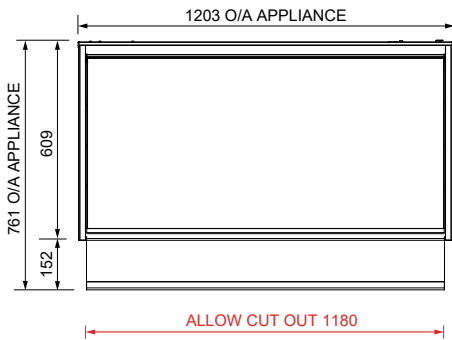
Crated weights and dimensions vary. Please contact us for information on your shipment.

Installation note:

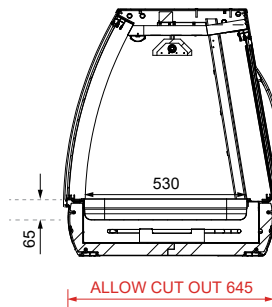
Model cutout dimensions: IN-3B12-CU-FF-IC models require 1180 x 645mm benchtop cutout (see product manual for installation guide).



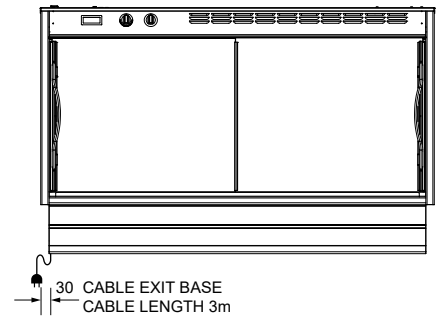
PLAN VIEW



FRONT ELEVATION



SECTION VIEW



REAR ELEVATION

More information including technical data and installation guidelines is available from the Product Manual published on our website.

In line with our policy to continually develop, improve and support our products, Future Products Group Ltd reserves the right to change specifications and design without notice.