

SHORTENING DISPOSAL UNITS

Specifically designed for the removal of waste oil from the kitchen. Frymaster provides the answer for the transportation of waste oil from the kitchen to the disposal container, with shortening disposal units, available in 25 and 50 litre capacities.

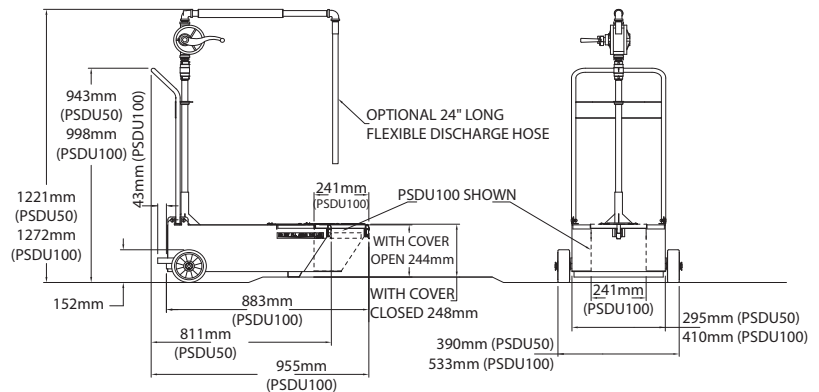
The low centre of gravity provides stability when transporting or operating the unit. The heavy-duty manual pump is located at a convenient height, so there is no stooping or bending required. Also, there is no lifting required to operate the unit.

The Frymaster Shortening Disposal Units fit FootPrint PRO® filtration batteries to allow easy disposal of used shortening.

STANDARD FEATURES

- 244 mm drain height (with cover open) allows unit to fit under most frypots to permit direct draining of oil into unit
- Heavy-duty manual pump can empty 25 litres of oil in less than 60 seconds
- Large 178 mm wheels provide easy transporting of oil, even across parking lots; and no lifting is necessary
- 90 days parts and labour warranty; pump warranted one year, parts only

| DIMENSIONS | |
|------------------------------------------------------|-------------------------------------------------------------------|
| External: | PSDU50: 391W x 813D x 1219H mm PSDU100: 533W x 953D x 1270H mm |
| Weight: | 20kg PSDU50, 29kg PSDU100 |
| Drain Height: | 245mm |
| TECHNICAL DATA | |
| Capacity | PSDU50: 25 Litres PSDU100: 50 Litres |
| SPECIFICATIONS ARE SUBJECT TO CHANGE WITHOUT NOTICE. | |



WA DEALER
PRACTICAL PRODUCTS PTY LTD

PH: 08 9302 1299
51 Paramount Dr Wangara WA 6065
sales@practicalproducts.com.au
www.practicalproducts.com.au