

## Main Features

- Advanced visual control panel offers complete customization and versatility of all baking parameters
- Quickly reaches working temperature of 300°C in less than 30 minutes and 460° in less than 50 minutes
- Double glazed glass door along with sealing fiber chamber gas-kets & 80mm glass fiber insulation prevents burn, reduces any heat loss and allows the user to bake with the door open
- Economy mode forces the ceiling and floor resistors to switch on limiting the required power by 50%
- Fully constructed in high grade (AISI) 304 stainless steel
- Ergonomically designed for confined spaces and use of short shovel with the glass opening up and pull out sliding table
- Modular so can be stacked up to 3 units high



## SPECIFICATIONS

Voltage	400 Volt AC 3/N/PE
	230 Volt AC 1/N/PE
Power	10,4 kW
Weight	192 kg
Plug Supplied	NO
Capacity	6 x 34cm tray
Thermostat	60-460°C
Warranty	4 Year Warranty (2 yr Labour 4 yr Parts)

## DIMENSIONS

External Width	1485mm	Internal Width	1050mm
External Depth	1090mm	Internal Depth	700mm
External Height	425mm	Internal Height	155mm

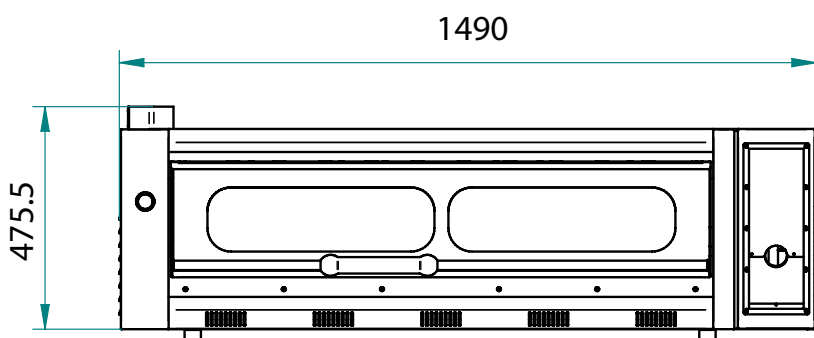
## ACCESSORIES

Single Deck Stand	AFOPIEDAZ6NR1M
Double Deck Stand	AFOPIEDAZ6NR2M
Triple Deck Stand	AFOPIEDAZ6NR3M
Extractor Hood	AFOCAPKING6G
Double Door Proofer Insert	AFOCELUN

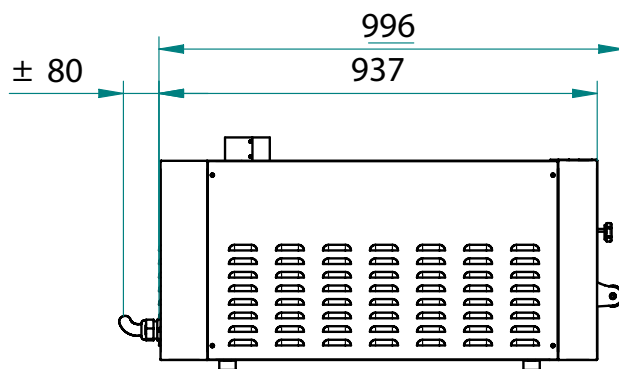
# AZZURRO 6G

FORA6TR400A

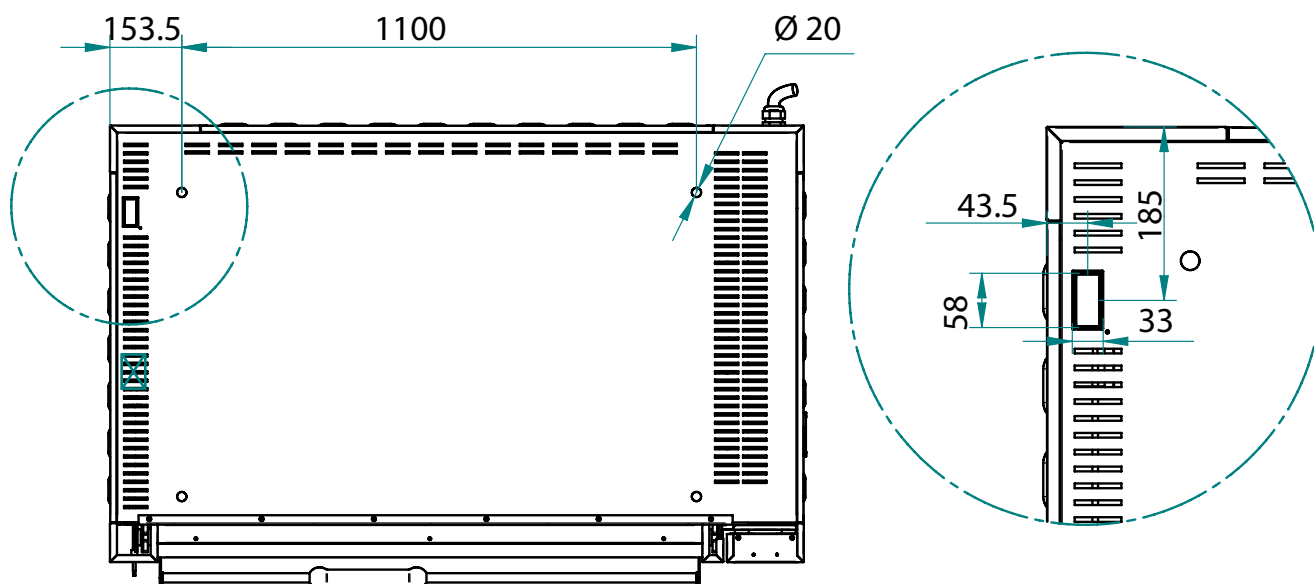
## FRONT



## SIDE



## TOP



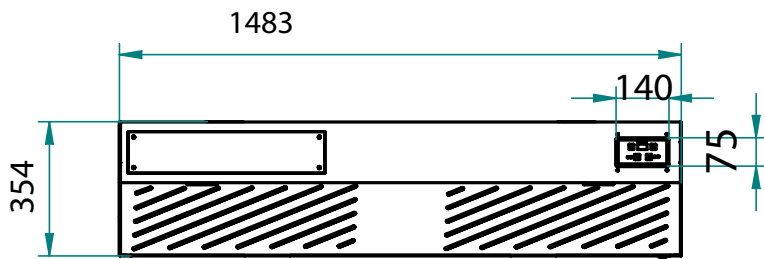
We reserve the right to alter specifications without notice.

# AZZURRO 6G - EXTRACTOR HOOD

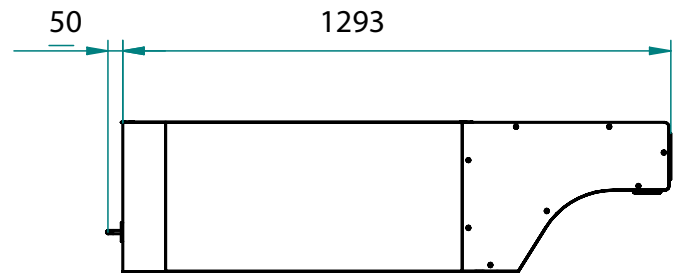
FORA6TR400A

AFOCAPKING6G

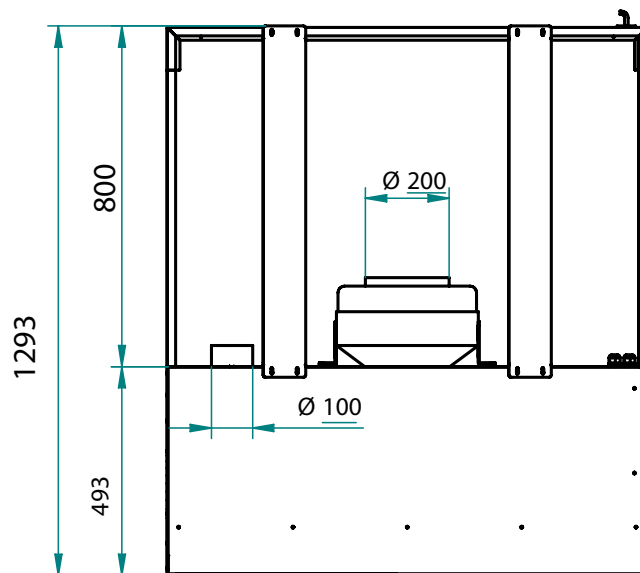
## FRONT



## SIDE



## TOP



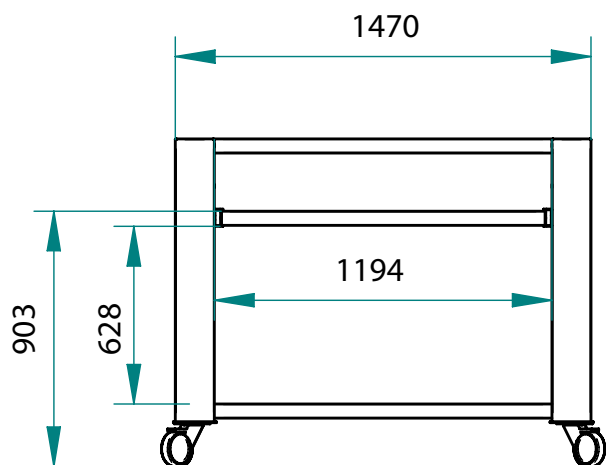
We reserve the right to alter specifications without notice.

# AZZURRO 6G - SINGLE DECK STAND

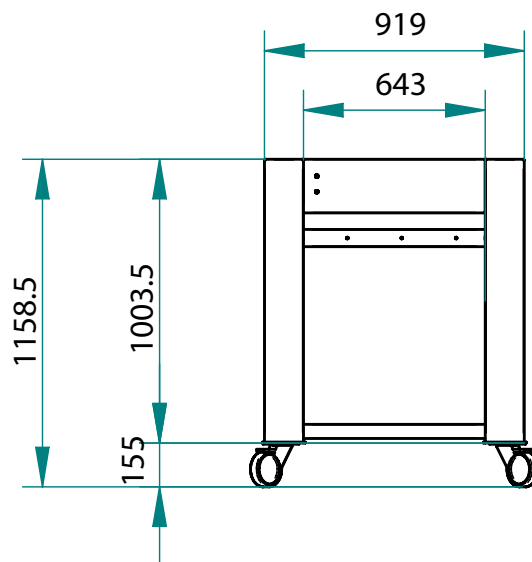
FORA6TR400A

AFOPIEDAZ6NR1M

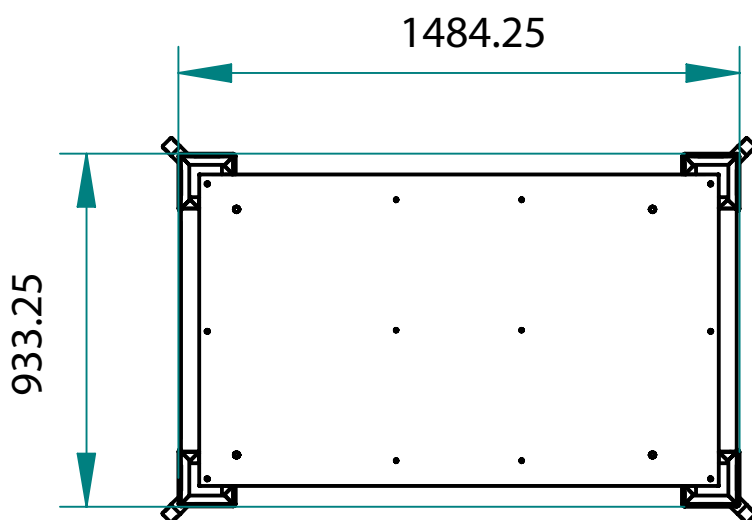
## FRONT



## SIDE



## TOP



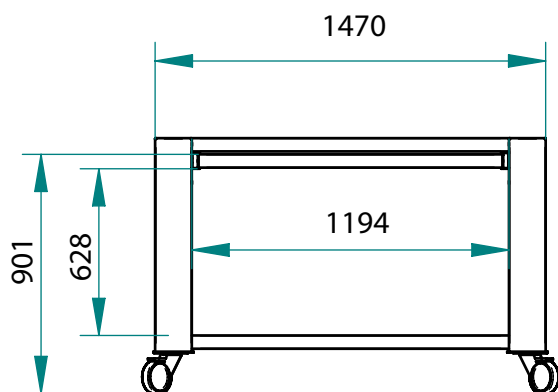
We reserve the right to alter specifications without notice.

# AZZURRO 6G - DOUBLE DECK STAND

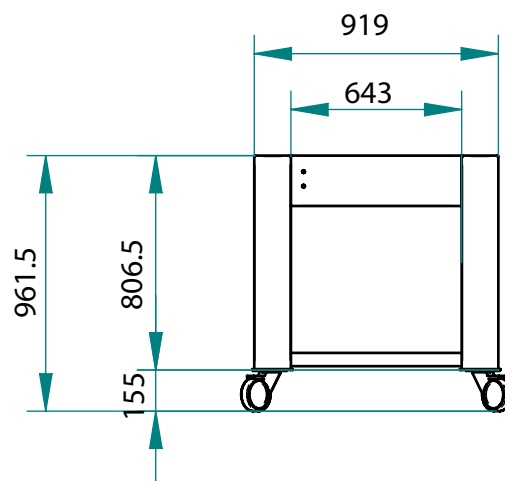
FORA6TR400A

AFOIEDAZ6NR2M

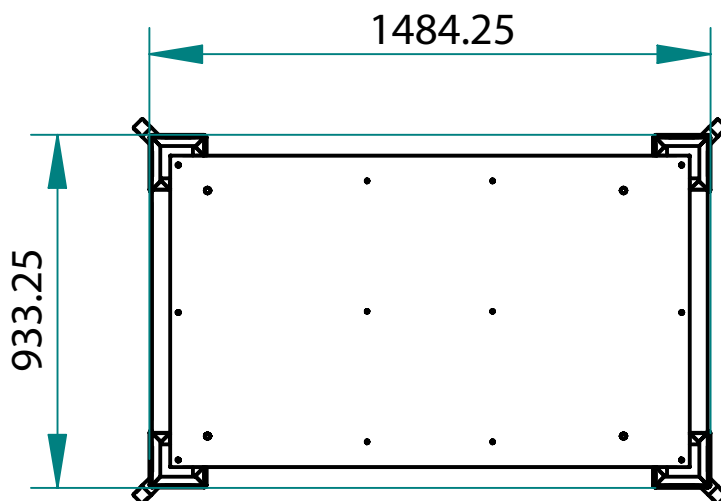
## FRONT



## SIDE



## TOP



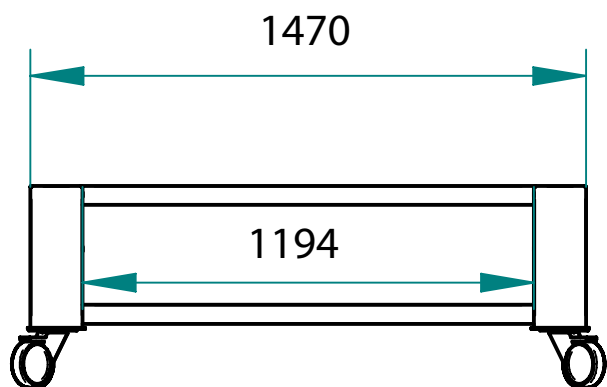
We reserve the right to alter specifications without notice.

# AZZURRO 6G - TRIPLE DECK STAND

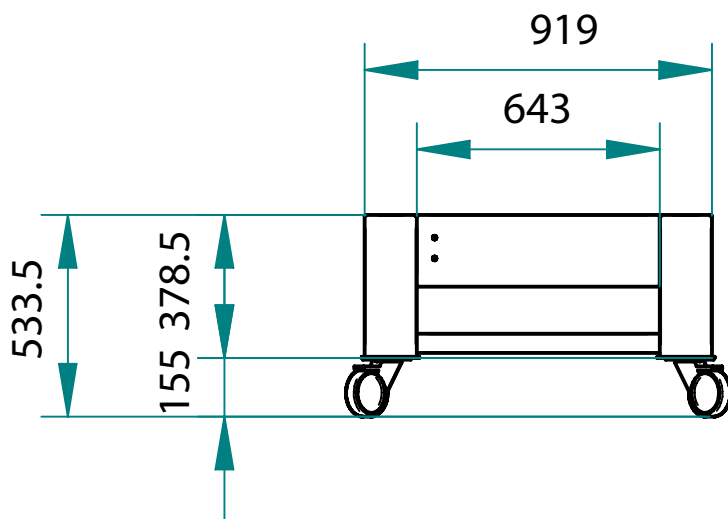
FORA6TR400A

AFOPIEDAZ6NR3M

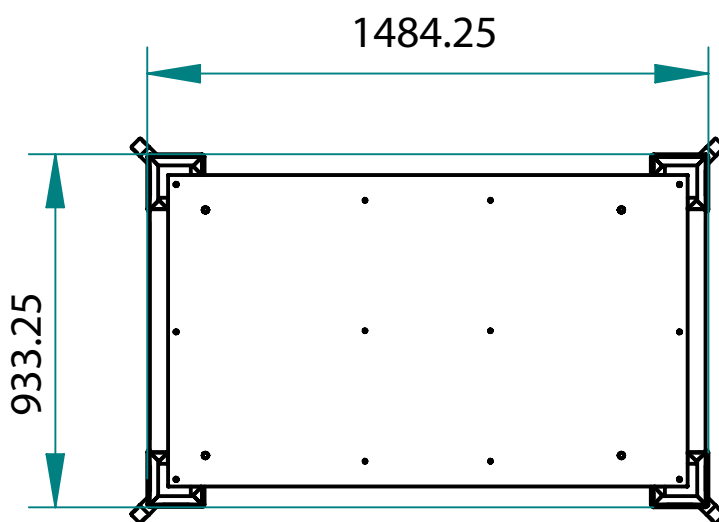
## FRONT



## SIDE



## TOP



We reserve the right to alter specifications without notice.

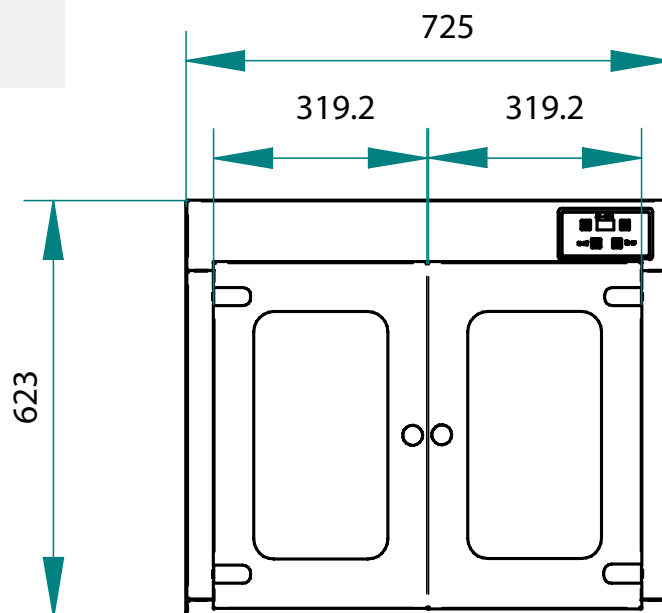
# AZZURRO 6G - DOUBLE DOOR PROOFER

FORA6TR400A

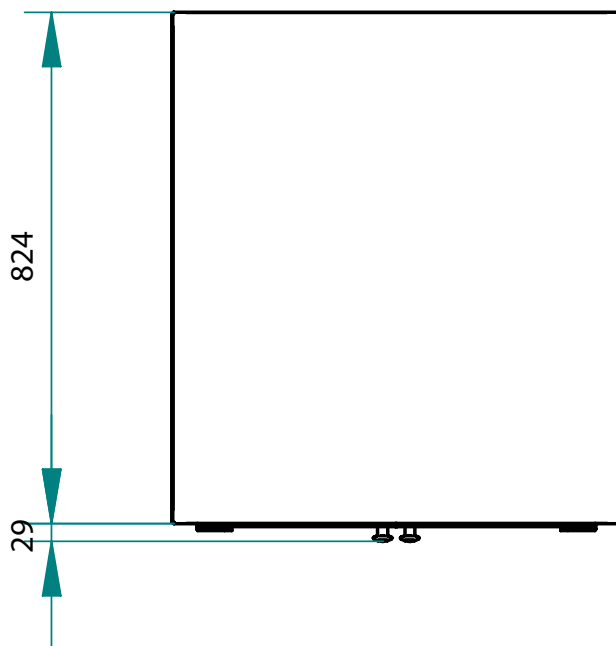
AFOCELUN



## FRONT



## TOP



We reserve the right to alter specifications without notice.



WA DEALER  
PRACTICAL PRODUCTS PTY LTD

PH: 08 9302 1299  
51 Paramount Dr Wangara WA 6065  
sales@practicalproducts.com.au  
www.practicalproducts.com.au