

## Main Features

- Advanced visual control panel offers complete customization and versatility of all baking parameters including auto-pilot start up mode, exhaust discharge adjustments, 9 baking programs & top and bottom heating control
- Quickly reaches working temperature of 300°C in less than 30 minutes and 420° in less than 45 minutes
- Double glazed glass door along with sealing fiber chamber gaskets & glass fiber insulation prevents burn, reduces any heat loss and allows the user to bake with the door open
- Economy mode forces the ceiling and floor resistors to switch on limiting the required power by 50%
- Fully constructed in high grade (AISI) 304 stainless steel
- Well lit interior chamber light
- No Gap Refractory Stone ensures no difficult-to-clean spots where flour and cheese can get stuck, burn and ruin the taste of the pizza
- Modular so can be stacked up to 3 units high



### IWOS™ Italian Wood SYSTEM Oven Substitute

KING is the only oven in the world baking with the innovative IWOS™ System (Italian Wood Oven Substitute) which mechanically replicates the air circulation found within a wood-burning pizza oven.

## SPECIFICATIONS

Voltage	400 Volt AC 3/N/PE
	230 Volt AC 1/N/PE
Power	15,6 kW
Weight	265 kg
Plug Supplied	NO
Capacity	9 x 34cm pizza
Thermostat	60-500°C
Warranty	4 Year Warranty (2 yr Labour 4 yr Parts)

## DIMENSIONS

External Width	1485mm	Internal Width	1050mm
External Depth	1490mm	Internal Depth	1050mm
External Height	425mm	Internal Height	155mm

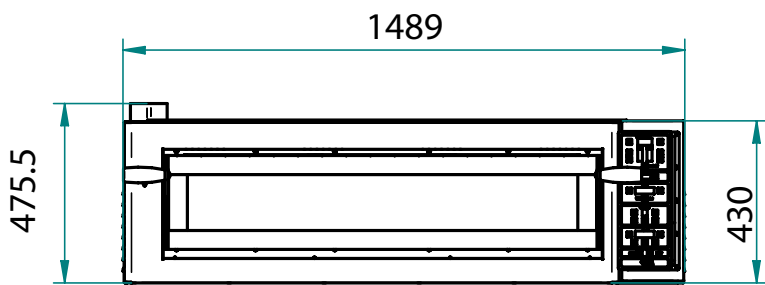
## ACCESSORIES

Single Deck Stand	AFOPIEDAZ9NR1M
Double Deck Stand	AFOPIEDAZ9NR2M
Triple Deck Stand	AFOPIEDAZ9NR3M
Extractor Hood	AFOCAPKING9
Double Door Proofer Insert	AFOCELUN

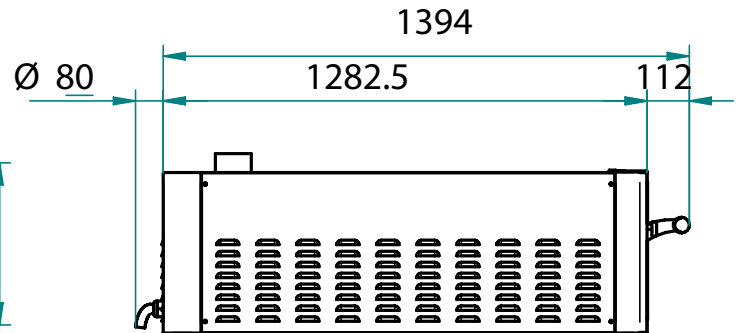
# KING 9

FOR KING9TR400

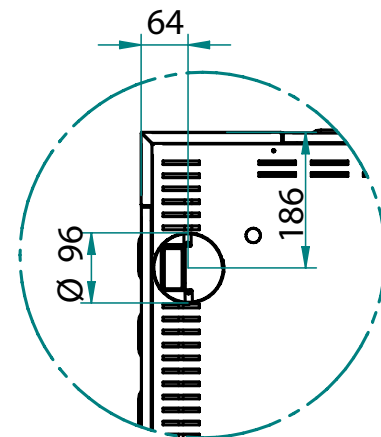
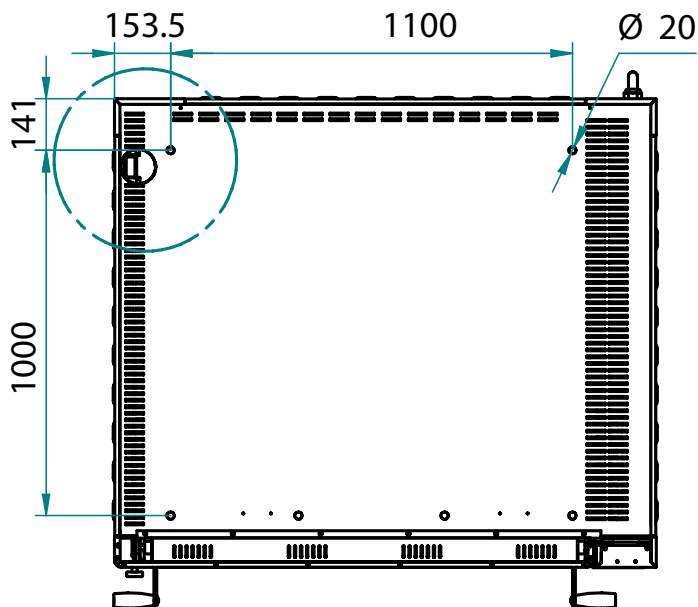
## FRONT



## SIDE



## TOP

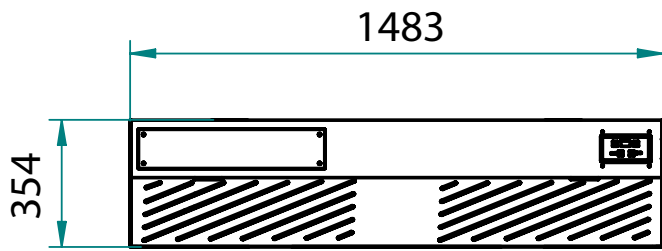


We reserve the right to alter specifications without notice.

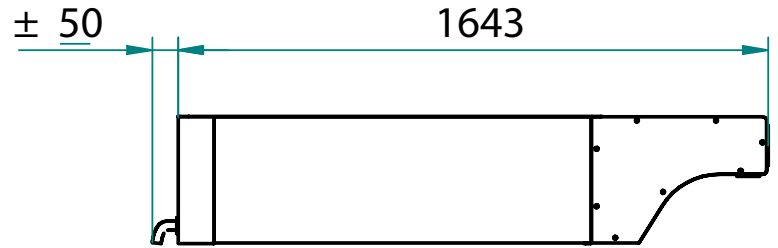
**KING 9 -**  
FOR KING9TR400

**EXTRACTOR HOOD**  
AFOCAPKING9

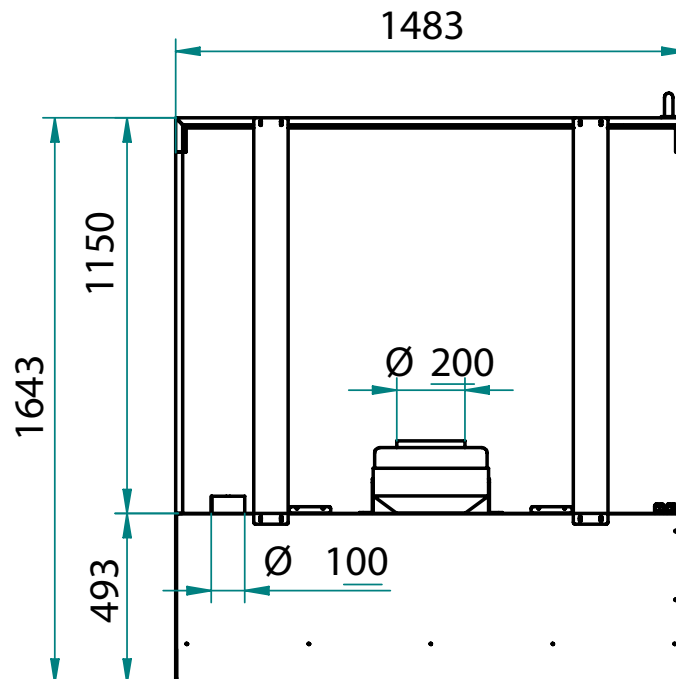
**FRONT**



**SIDE**



**TOP**

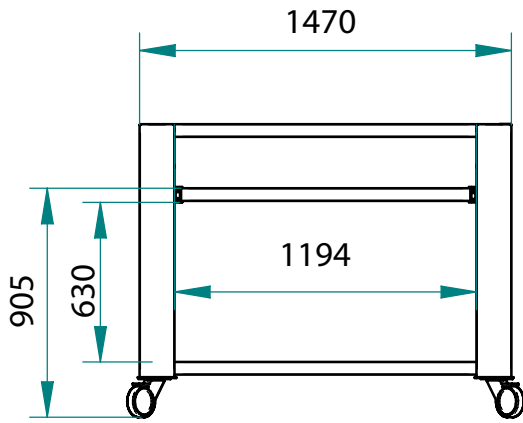


We reserve the right to alter specifications without notice.

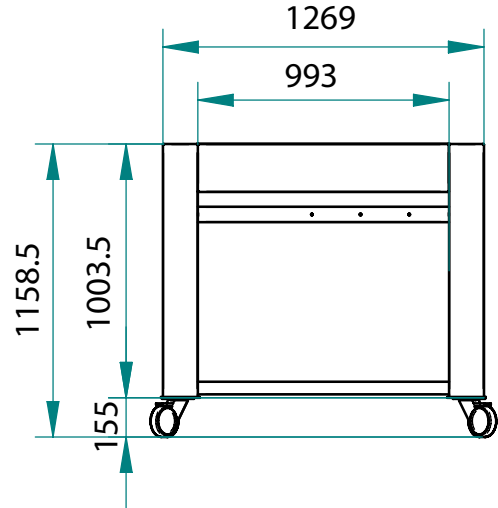
**KING 9 -**  
FOR KING9TR400

**SINGLE DECK STAND**  
AFOPIE DAZ9NR1M

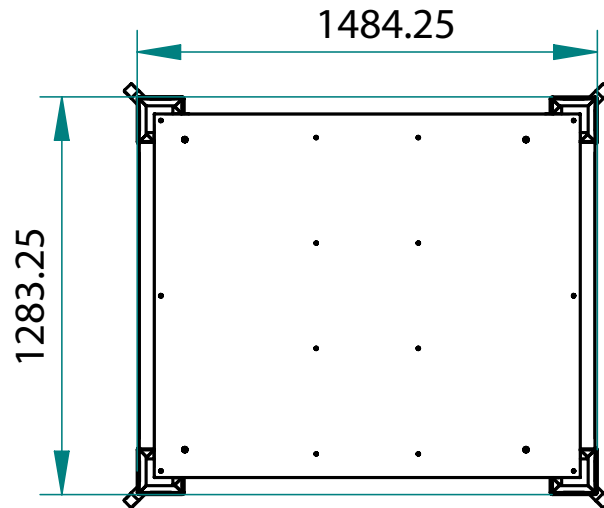
**FRONT**



**SIDE**



**TOP**



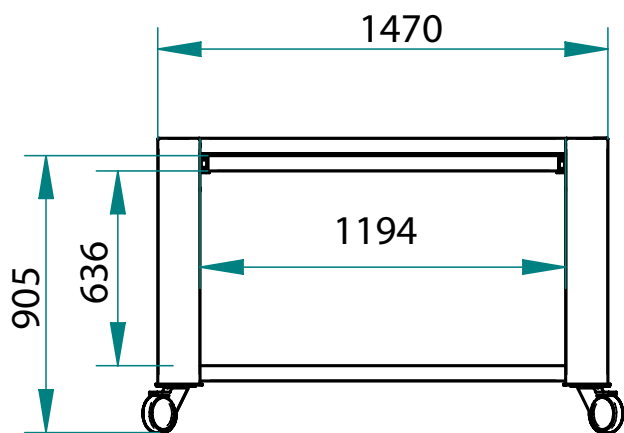
We reserve the right to alter specifications without notice.

# AZZURRO 9 - DOUBLE DECK STAND

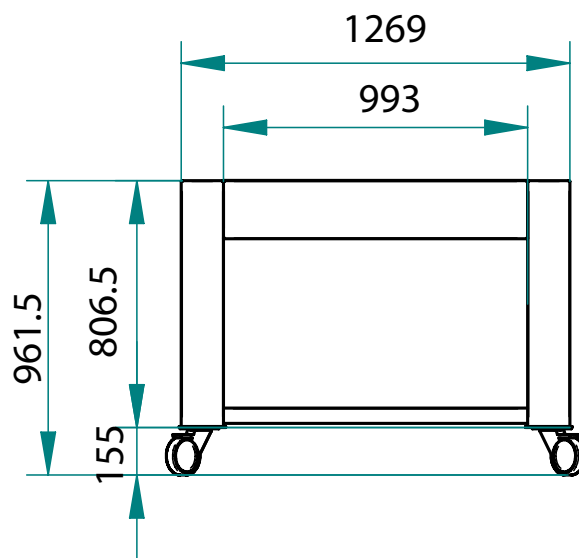
FORKING9TR400

AFOPIEDAZ9NR2M

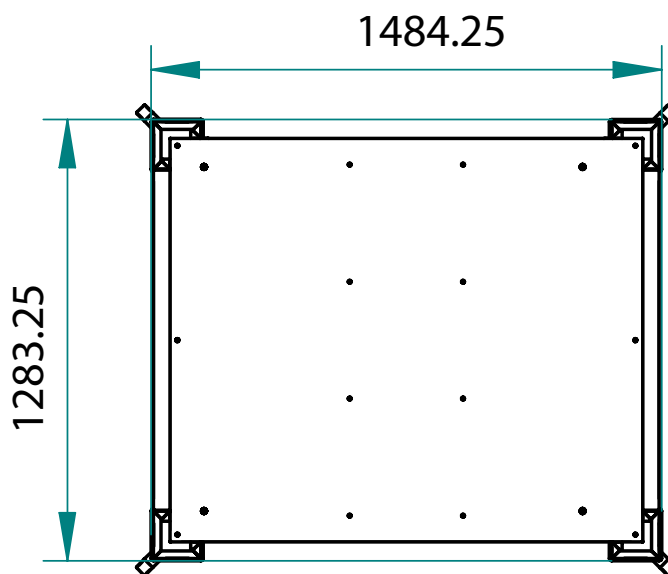
## FRONT



## SIDE



## TOP



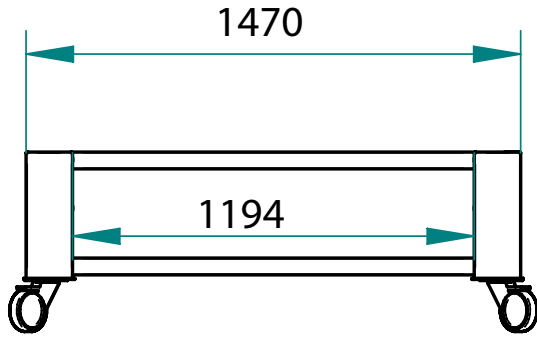
We reserve the right to alter specifications without notice.

# KING 9 - TRIPLE DECK STAND

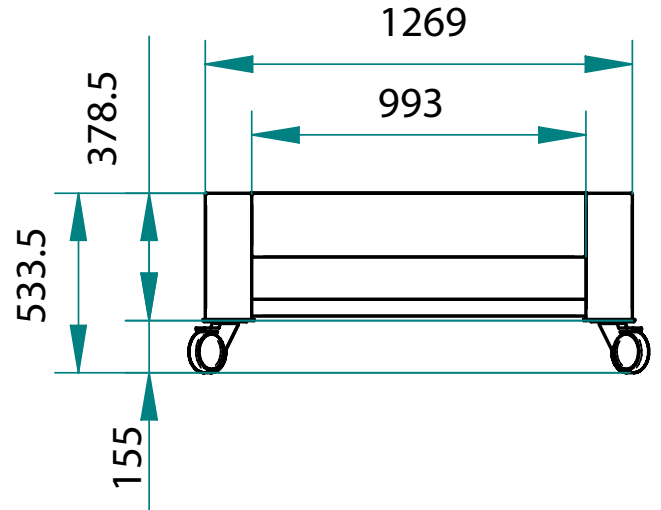
FOR KING9TR400

AFOPIEDAZ9NR3M

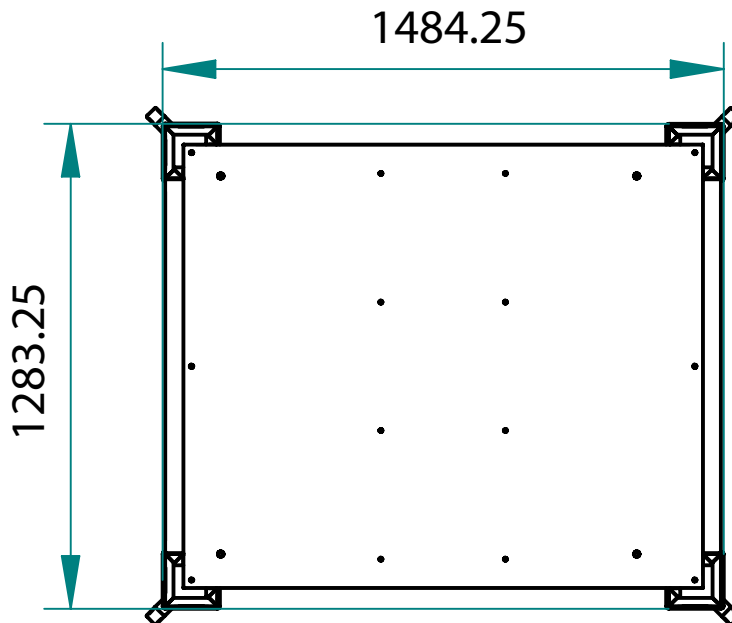
## FRONT



## SIDE



## TOP

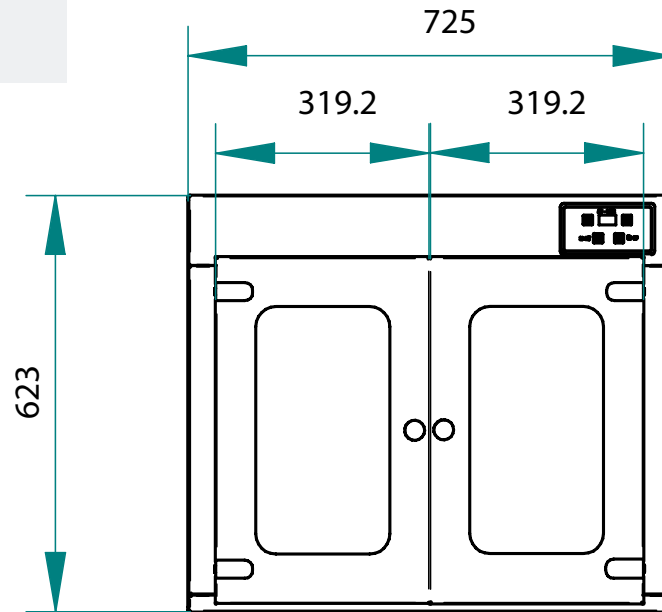


We reserve the right to alter specifications without notice.

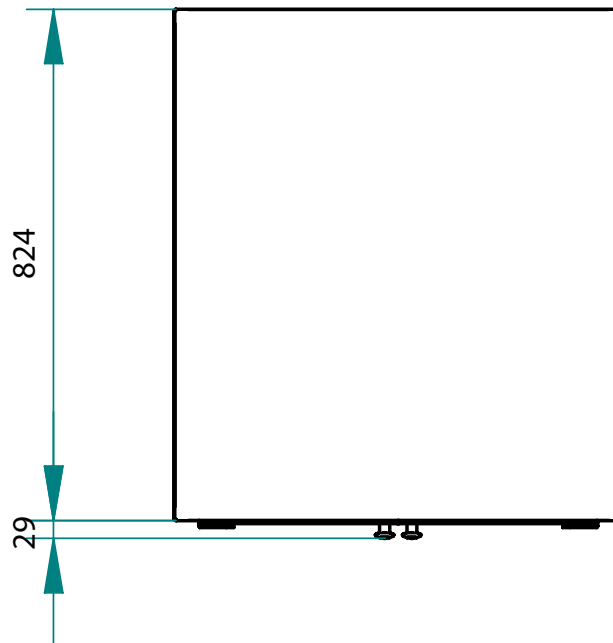
**KING 9 -**  
FOR KING9TR400

**DOUBLE DOOR PROOFER**  
AFOCELUN

**FRONT**



**TOP**



We reserve the right to alter specifications without notice.

WA DEALER  
PRACTICAL PRODUCTS PTY LTD

PH: 08 9302 1299  
51 Paramount Dr Wangara WA 6065  
sales@practicalproducts.com.au  
www.practicalproducts.com.au

