

Main Features

- Electromechanical operation and controls
- Quickly reaches working temperature of 300°C in less than 20 minutes
- Double glazed glass door along with glass fiber insulation prevents burn and reduces any heat loss
- Accurate double thermostat with top & bottom independent heating controls to reach 50-350°C per deck
- No gap refractory stone ensures no difficult-to-clean spots where flour and cheese can get stuck, burn and ruin the taste of the pizza
- Removable door to ease cleaning
- Well lit interior chamber light
- Fully constructed in high grade (AISI) 304 stainless steel



MD 1 Single deck oven

SPECIFICATIONS

Voltage	240 Volt AC 1/N/PE
Power	1,6 kW
Weight	27 kg
Plug Supplied	Yes 10 amp
Capacity	1 x 35cm pizza
Thermostat	60-350°C
Warranty	2 Year Warranty (1 yr Labour 2 yr Parts)

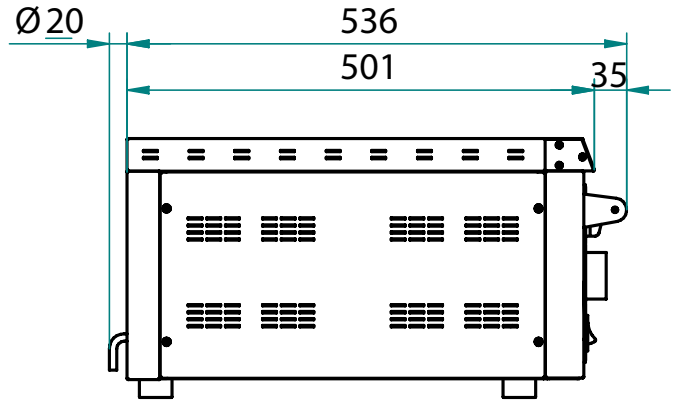
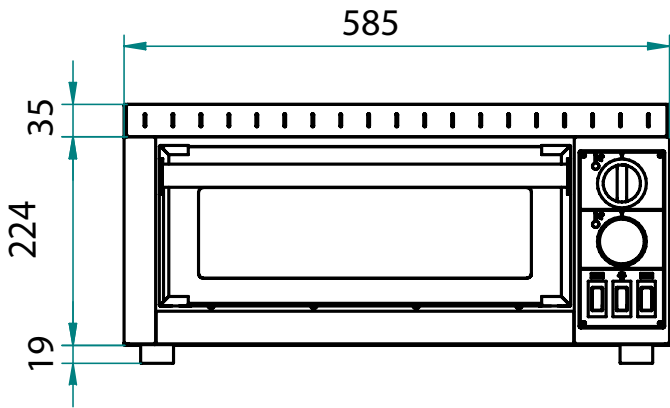
DIMENSIONS

External Width	585mm	Internal Width	360mm
External Depth	540 mm	Internal Depth	410mm
External Height	258mm	Internal Height	80mm

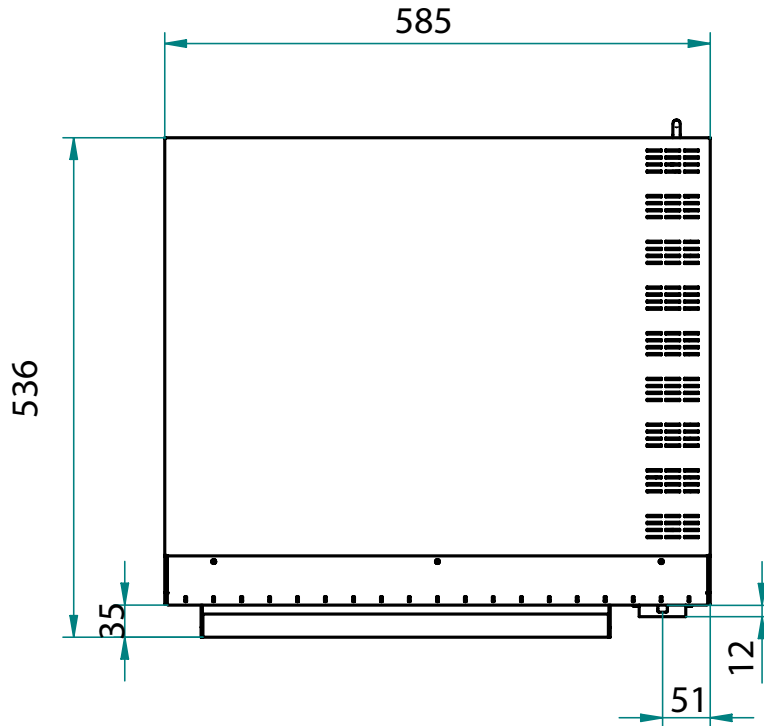
FRONT



SIDE



TOP



We reserve the right to alter specifications without notice.



**WA DEALER
PRACTICAL PRODUCTS PTY LTD**

PH: 08 9302 1299
51 Paramount Dr Wangara WA 6065
sales@practicalproducts.com.au
www.practicalproducts.com.au