



# ASIAN COOKING RANGES, WOKS



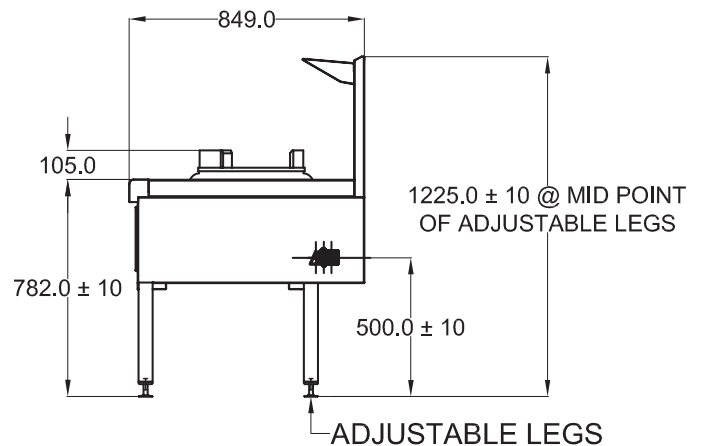
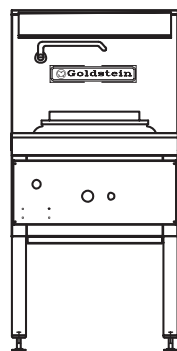
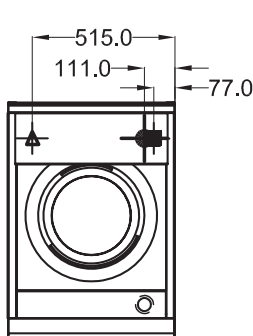
## CWA1 - Gas

- Air cooled decks for maximum water efficiency – saves 90% of water usage
- Fresh water swivel spout with tap
- Manually operated water control tap
- All stainless steel construction
- Heavy duty dual ringed burner
- Heavy duty duckbill burner

### Other options

Front or rear drain trough

Any combination of burners arrangement – Double ring, Mongolian or Duckbill burners



## CWA1

### SPECIFICATIONS

<b>Dimensions (WxDxH)</b>	600 x 850 x 1225 mm
<b>Working height</b>	900 mm
<b>Wok size (diameter)</b>	356 mm
<b>Wok type</b>	Dual Ring / Mongolian / Duckbill

- 1" BSP Gas Inlet
- 1/2" BSP Water Inlet
- 1 1/2" Waste Drain

<b>Gas Connection</b>	1" BSP
<b>Rating</b>	Dual Ring 54 Mj Mongolian 90 Mj Duckbill 120 Mj
<b>Weight</b>	60 kg
<b>Packed</b>	0.7 m <sup>3</sup>

WA DEALER  
PRACTICAL PRODUCTS PTY LTD

PH: 08 9302 1299  
51 Paramount Dr Wangara WA 6065  
sales@practicalproducts.com.au  
www.practicalproducts.com.au

