



# ASIAN COOKING RANGES, WOKS



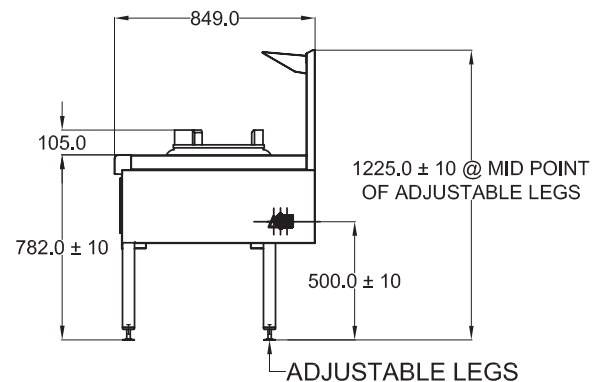
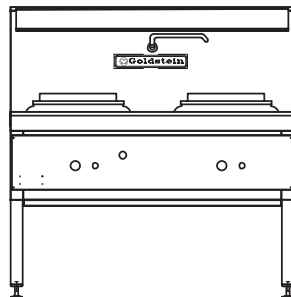
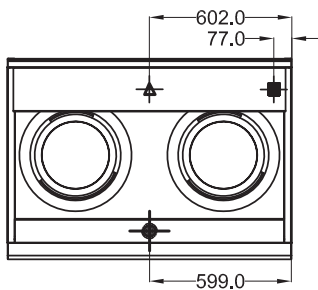
## CWA2 - Gas

- Air cooled decks for maximum water efficiency – saves 90% of water usage
- Fresh water swivel spout with tap
- Manually operated water control tap
- All stainless steel construction
- Heavy duty dual ringed burner
- Heavy duty duckbill burner

### Other options

Front or rear drain trough

Any combination of burners arrangement – Double ring, Mongolian or Duckbill burners



## CWA2

### SPECIFICATIONS

<b>Dimensions (WxDxH)</b>	1200 x 850 x 1225 mm
<b>Working height</b>	900 mm
<b>Wok size (diameter)</b>	2x 356 mm
<b>Wok type</b>	Dual Ring / Mongolian / Duckbill

<b>Gas Connection</b>	1" BSP
<b>Rating</b>	Dual Ring 108 Mj Mongolian 180 Mj Duckbill 240 Mj
<b>Weight</b>	150 kg
<b>Packed</b>	1.3 m <sup>3</sup>

- 1" BSP Gas Inlet
- 1/2" BSP Water Inlet
- 1 1/2" Waste Drain

WA DEALER  
PRACTICAL PRODUCTS PTY LTD

PH: 08 9302 1299  
51 Paramount Dr Wangara WA 6065  
sales@practicalproducts.com.au  
www.practicalproducts.com.au

