



Goldstein
Established 1911 • Proudly Australian Made



800 SERIES RANGES - GAS - 4 & 6 BURNER

- High performance, even heat 28mj cooktop burners for peak productivity.
- Constant pilot flame as standard, maximises operating and energy efficiency.
- Heavy duty removable, easy clean cast iron trivets.
- Stainless steel fascia and sides, spill zone and drip trays for ease of cleaning.
- Flexible modular cooktop design enables many combinations of Burners, Griddle and BBQ.
- Static, fan forced or convection oven options in gastronorm compatible sizes: 490 & 690mm wide.
- Ovens are fully insulated vitreous enamel for even heat and easy cleaning.
- Heavy duty welded steel body for rigidity and durability.

MODELS

GAS

PF-4-20

+ OVEN & GRIDDLE OPTIONS

PF-4-28

+ OVEN & GRIDDLE OPTIONS

PF-6-28

+ OVEN & GRIDDLE OPTIONS

PF-4-20



PF-6-28



PF-24G-2-28





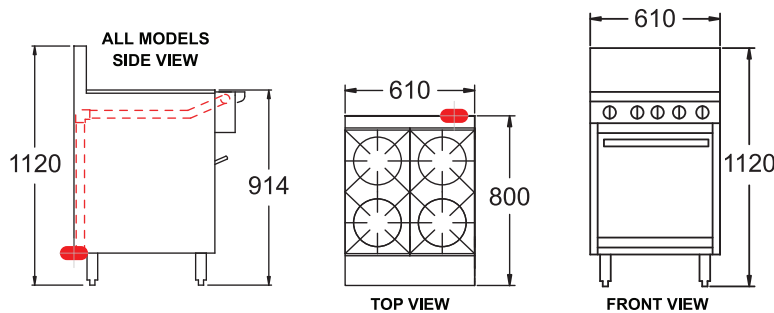
Goldstein

Established 1911 • Proudly Australian Made



800 SERIES RANGES - GAS - 4 & 6 BURNER

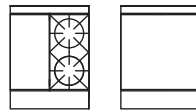
PF-4-20



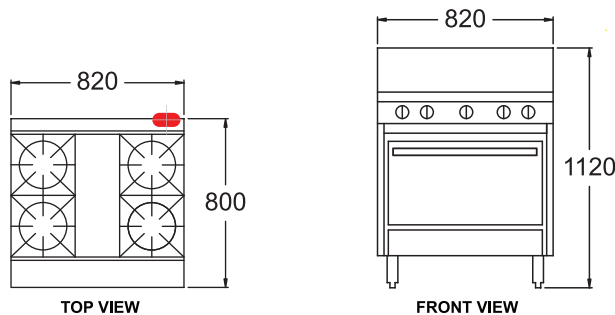
MODEL: PF-4-20 Specifications:

Dimensions (WxDxH):	610 x 800 x 1120 mm
Working Height:	914 mm
Oven Size (WxDxH):	505 x 560 x 355 mm
Weight:	129 kg
Packed:	0.5 m ³
Gas Connection:	19 mm
Rating:	134 mj
Burners:	Up to 4

Griddle Options:



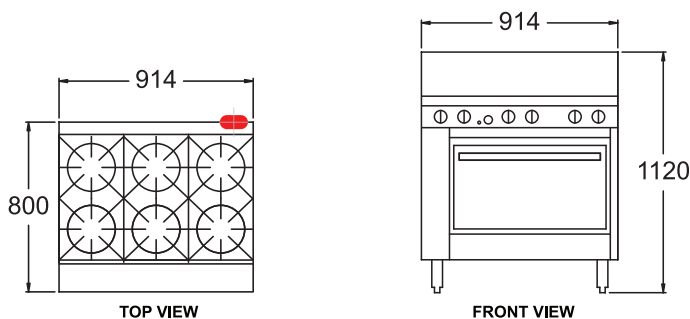
PF-4-28



MODEL: PF-4-28 Specifications:

Dimensions (WxDxH):	820 x 800 x 1120 mm
Working Height:	914 mm
Oven Size (WxDxH):	711 x 560 x 355 mm
Weight:	135 kg
Packed:	0.7 m ³
Gas Connection:	19 mm
Rating:	138 mj
Burners:	4

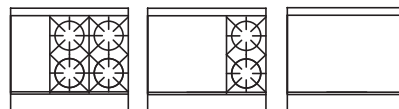
PF-6-28



MODEL: PF-6-28 Specifications:

Dimensions (WxDxH):	914 x 800 x 1120 mm
Working Height:	914 mm
Oven Size (WxDxH):	711 x 560 x 355 mm
Weight:	227 kg
Packed:	0.8 m ³
Gas Connection:	19 mm
Rating:	190 mj
Burners:	Up to 6

Griddle Options:



GAS INLET 3/4" BSP

- Other options:**
- All ovens available in fan forced or fan convection format.
 - All ovens available in electric with gas cooktop.
 - Flame Failure on open burners.
 - Glass door to oven.

- Castors.
- Drop-on Griddle.
- Drop-on Char grill.