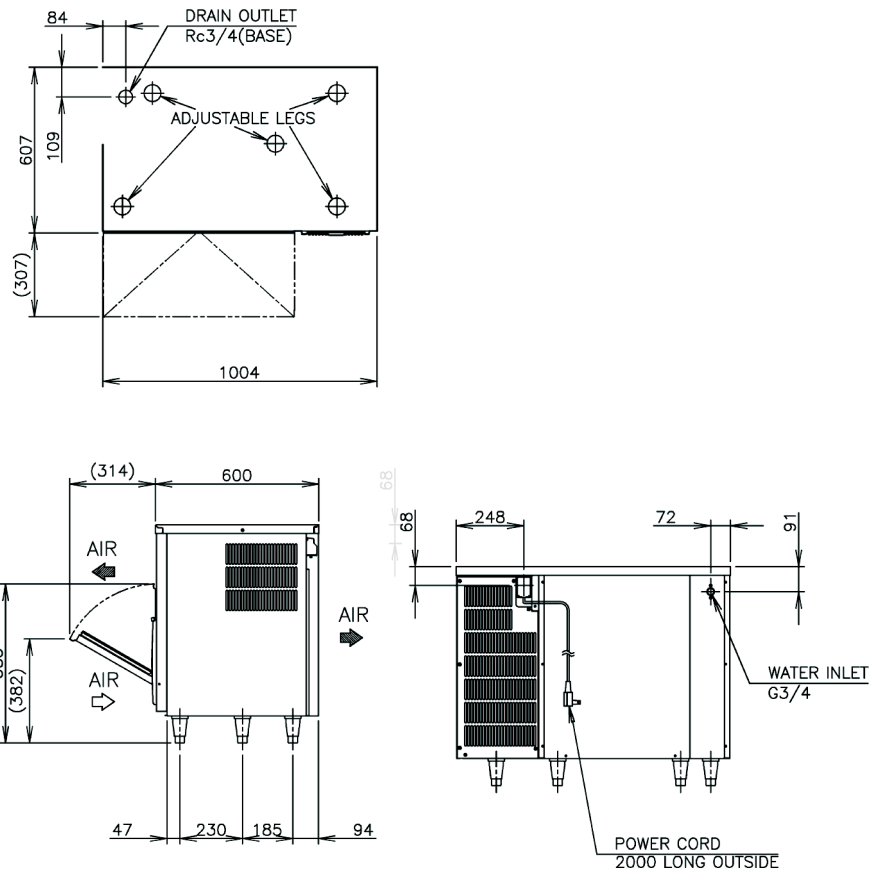




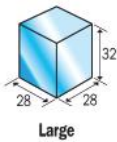
PRODUCT FEATURES

- New intelligent control circuit dedicated to saving power and water consumption.
- Micro computer controller controls ice making process to work at peak performance in any conditions.
- Inbuilt safety features - freeze cycle back up timer, defrost back up, low voltage & high amp protector.
- New 7 segment operational display panel for ease of use.
- Unique closed cell water circuit for ultimate contamination protection.
- Durable stainless steel exterior.
- Easily accessible and cleanable air filters reduce costly callouts.
- Exceptionally hard crystal clear cubes that melt slowly.
- Auto rinse and flush cycle.
- 3 year parts & labour warranty on entire unit, 5 year (parts only) on compressor & air cooled condenser coil.

TECHNICAL DRAWING



CUBE SIZE:



PRODUCT SPECIFICATION

Production Capacity per 24hours	Approx. 85kg @10°C Air temp; 10°C Water Approx. 83kg @21°C Air temp; 15°C Water Approx. 73kg @32°C Air temp; 21°C Water
Max Storage Capacity	Approx. 38kg (Bin Control Setting Approx. 23kg)
Freeze Cycle Time	Approx. 29 Min
Ice Production Per cycle	Approx. 1.8kg/80pcs
Dimensions	1004mm (W) x 600mm (D) x 800mm (H) (Units include adjustable legs 90-125mm)
Cooling	Air
Weight Net/Gross (kg)	77 / 88
AC Supply Voltage	1 PHASE 220-240V 50Hz / 10AMP Plug
Amperage	Running: 4.1A Rated: 4.1A Starting: 19A
Refrigerant Charge	R134a / 290g
Operating Conditions	Ambient Temp.: 1-40°C Water Supply Temp.: 5-35°C Water Supply Pressure: 0.07-0.8MPa (0.7-8bar) Voltage Range: Rated Voltage ±6%



Descriptions and specifications are subject to change at any time, without notice. Illustrations for demonstration purposes.

Copyright © 2019 Hoshizaki Lancer Pty Ltd. All right reserved. E&OE Date: May 2019