

70 SERIES 800MM WIDE  
GAS FRY-TOP WITH CHROMED FRY PLATE

Gas fry-top with chromed fry plate, constructed in AISI 304 stainless steel.

Splash guard around three sides and front grease channel with drainage hole connected to a large capacity removable drainage drawer.

Heated by stable-flame steel burner complete with pilot flame and safety thermocouple. Gas supply controlled by safety valve.

Automatic piezoelectric ignition. Cooking surface: 750 x 500mm.

**STANDARD FEATURES**

- Heavy Duty 1.5mm thick pressed tops
- Modular design
- High efficiency burners
- IPX4 water rating
- Easy to clean
- Flame failure and pilot lights standard
- Interlocking device supplied standard on all units

**OPTIONAL FEATURES**

- Cabinet base
- Hygenic cabinet base
- Stand base
- Castors
- Flexible gas hose with quick disconnect and restraining kit

**DIMENSIONS**

External: 730D x 800W x 230H mm

**TECHNICAL DATA**

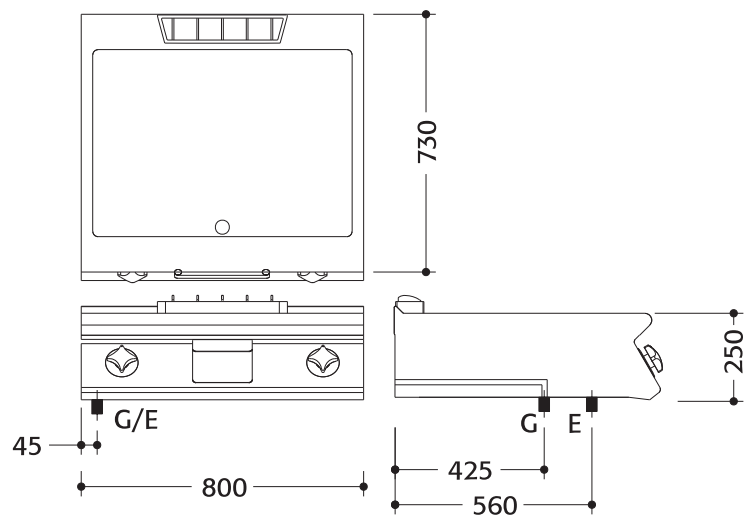
Gas Type: Natural or LP

Total Output: 44MJ

Gas Connection: 1/2"

AGA approval number: 6755

SPECIFICATIONS ARE SUBJECT TO CHANGE WITHOUT NOTICE.



**WA DEALER**  
**PRACTICAL PRODUCTS PTY LTD**

PH: 08 9302 1299  
51 Paramount Dr Wangara WA 6065  
sales@practicalproducts.com.au  
www.practicalproducts.com.au