

MARENO ANPC7-4G

SINGLE-PAN GAS PASTA COOKER 28LT

Single-pan gas pasta cooker constructed in AISI 304 stainless steel. Pan constructed in AISI 316 stainless steel with rounded corners for easy cleaning. Heating by steel stable-flame burners with pilot flame and safety thermocouple. Gas supply controlled by gas tap with safety valve. Automatic piezoelectric ignition. Pan capacity: 28 litres. Pan dimensions: 305 x 340mm. Water filling and drain taps on front. Height-adjustable stainless steel feet.

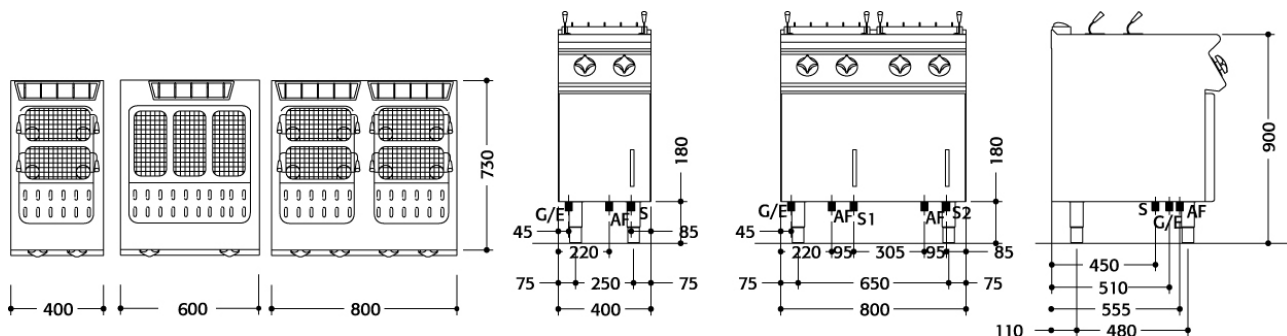


STANDARD FEATURES

- Heavy Duty 1.5mm thick pressed tops
- High efficiency burners
- Modern appealing look
- Flame failure and pilot lights standard
- Interlocking device supplied standard on all units
- Baskets not included
- Modular design
- IPX4 water rating
- Easy to clean

SPECIFICATIONS ARE SUBJECT TO CHANGE WITHOUT NOTICE.

MARENO ANPC7-4G



DIMENSIONS

External Dimension: 730D x 400W x 850-900H mm

TECHNICAL DATA

Gas Type	Natural or LP
Power Output (gas)	39mj
Gas Connection	1/2"
Water Connection	1/2" Cold water
Drain Connection	1"

SPECIFICATIONS ARE SUBJECT TO CHANGE WITHOUT NOTICE.

WA DEALER
PRACTICAL PRODUCTS PTY LTD

PH: 08 9302 1299
51 Paramount Dr Wangara WA 6065
sales@practicalproducts.com.au
www.practicalproducts.com.au