

Merrychef Advanced High Speed Cook Oven

eikon® e3 HP



Standard Features

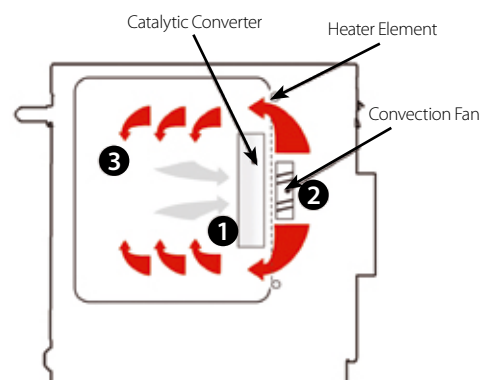
- Oven cavity to suit up to 297mm x 321mm / 11" x 12.7" tray size
- 2 rack positions
- Up to 5 times faster than a convection oven
- Advanced Cooking Technology® combines two heat technologies: microwave and convection heat
- Ventless cooking capabilities through built in catalytic converter
- Colour easyTouch® icon driven touch screen control panel with the capability of storing up to 1,024 multi-stage recipe programs
- Each program offers up to six (6) stages with programmable cooking times, microwave power setting and user instructions for each stage
- 3 cooking levels for power saving yet faster cooking and baking
- Quick preheat function
- Includes turntable for even browning
- Easy menu updates or data transfer via USB
- MenuConnect™ – ethernet connection for remote menu updating and diagnostics
- Precise temperature setting range from 100°C - 275°C
- Self-diagnostics capability to monitor components
- Cool to touch door exterior
- Stainless steel construction
- Easy to clean interior
- Easy access to front facing air filter
- Multi-languages available

Includes

- Cast turntable tray coated (3)
- Handle
- Turntable disk
- Cool down pan
- Cleaning care package, consisting of:
 - 1x oven cleaner (bottle)
 - 1x oven protector (bottle)

Accessories

- Circular Teflon liners
- Trays
- Disk
- Racks
- Handles

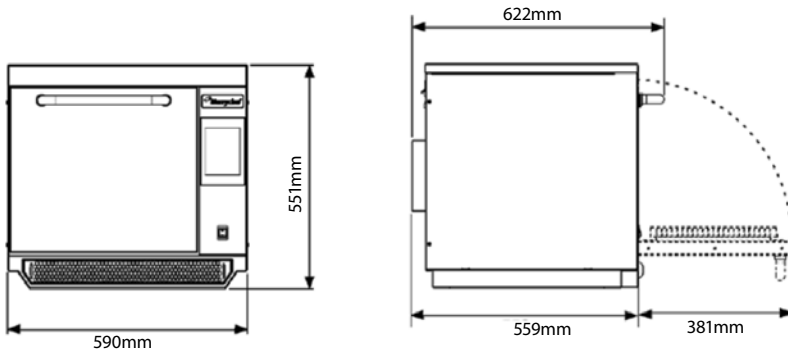


Airflow (side view)

Air in the oven cavity is cleaned by being drawn through the catalytic converter* (1) by the convection fan (2) and then passes over the heating element and is circulated into the oven cavity (3) at the set temperature.

Merrychef Advanced High Speed Cook Oven

eikon® e3 HP



MICROWAVE POWER

Microwave settings, off or 5-100% in 1% increments
Distribution system, rotating active antennae

CONVECTED HEAT

Temperature settings off and from 100°C to 275°C
in 1° C steps
Distribution system, tuned impingement

DIMENSIONS

Width	590 mm
Depth	559 mm
Height	551 mm
Weight	62.5 kg

PACKED DIMENSIONS

Width	770 mm
Depth	860 mm
Height	760 mm
Weight (including cleaning system)	71 kg

INSTALLATION REQUIREMENTS

Rear	50 mm
Right	50 mm
Left	50 mm

INSTALLATION REQUIREMENTS

For precise installation instructions please refer to the units installation manual

ELECTRICAL SUPPLY

400-415V, 50Hz (2P+N+E)
Rated power consumption 4.7 kW
Rated current 20A
20A 5 pin plug

All Merrychef ovens require installing a type D circuit breaker for all installations.

POWER OUTPUT (APPROX.)

Microwave	1 kW
Convected heat	3 kW
Combination mode	1**+3kW

**This is approximate microwave power output.



**WA DEALER
PRACTICAL PRODUCTS PTY LTD**

PH: 08 9302 1299
51 Paramount Dr Wangara WA 6065
sales@practicalproducts.com.au
www.practicalproducts.com.au