



**Panasonic**

COMMERCIAL  
MICROWAVE OVENS  
**NE-1853**

- 1800W of cooking power
- Compact size, heavy-duty performance
- 15 power levels & 5 stage cooking
- Dual power feed for more consistent even cooking
- Energy efficient LED lighting and LCD display
- Easy extension pad +10s/+20s heating



# NE-1853

## 1800 Watt Commercial Microwave Oven

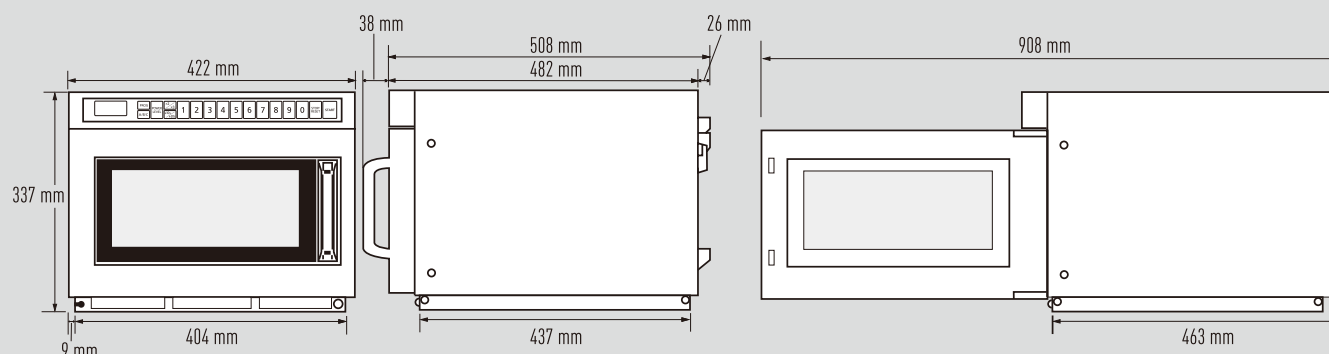


- 1800W of cooking power
- 2 magnetrons
- Dual power feed for more consistent even cooking
- Side Open
- Programmable memory pads
- 15 power levels
- 5 stage cooking
- Easy extension pad +10s/+20s
- 30 preset menu programs
- Programmable lock
- Easy to clean air filter
- Stainless steel cabinet & cavity
- Removable ceiling splatter shield
- Energy efficient LED lighting and LCD display
- Stackable

### Technical Specifications

<b>Model No.</b>	<b>NE-1853</b>	
<b>Capacity</b>	18L (0.6cft)	
<b>Output Power</b>	1800W	
<b>Power Source</b>	240V, 50Hz Single Phase	
<b>Plug Type</b>	AS/NS4417	
<b>Required Power</b>	12.3A 2830W	
<b>Material</b>	<b>Face of Door/Base</b>	Stainless Steel
	<b>Cabinet</b>	Stainless Steel
	<b>Cavity</b>	Stainless Steel
	<b>Base plate</b>	Sealed-in ceramic
<b>Door Design</b>	Side Open	
<b>Program</b>	<b>Power Level</b>	15 Levels
	<b>Memory</b>	30 programs
	<b>Stage Cooking</b>	5 stages
	<b>Memory lock</b>	Yes
	<b>Multiple quantity keys</b>	Yes (X2 for 2 dishes, X 3 for 3 dishes)
	<b>Extension Pad</b>	Yes (+10s/+20s)
<b>Display</b>	LCD	
<b>Oven Lamp</b>	LED	
<b>Stackable</b>	Yes	
<b>Outer Dimensions (WxDxH)</b>	422 x 508 x 337 mm	
<b>Cavity Dimensions (WxDxH)</b>	330 x 310 x 175 mm	
<b>Weight</b>	<b>Net</b>	30 kg

\* Specifications are subject to change without notice for further improvement.



**Panasonic**<sup>®</sup>

Printed in Japan OMD18-SPCMWO01E-1