

turbofan®

Technical data sheet for

P8M PROVER/HOLDING CABINET

Full Size Manual / Electric



P8M

Unit shall be a Moffat electrically heated Turbofan Prover and Holding Cabinet. The prover and holding cabinet shall have double skin construction with stainless steel interior and exterior sides, front and top. Door shall be side hinged and field reversible. Unit shall have capacity for up to 16 half size sheet pans or 8 full size sheet pans. A single speed fan shall gently and evenly circulate air around the cabinet. Cabinet shall be controlled by a mechanical thermostat and humidity via a control of the water tank. A thermometer shall indicate the cabinet temperature. Prover and holding cabinet shall be mounted on castors, with two rigid castors at rear and two swivel castors dual swivel and wheel lock and front. Prover and Holding cabinet shall operate independently or in combination with Moffat Turbofan model E32D4 or G32D4 Convection Ovens. Prover and Holding Cabinets shall be fitted with 10A cordsets. Unit shall be supplied in 100% recyclable shipping packaging.

STANDARD FEATURES

- Dual function Prover and Holding Cabinet
- Designed for individual use or system installed with Turbofan 32D Convection Ovens
- 8 460mm x 660mm / 18" x 26" full size sheet pan capacity
- 16 460mm x 330mm / 18" x 13" half size sheet pan capacity
- 8 400mm x 600mm tray capacity (optional kit)
- 76mm tray spacing
- Compact 735mm width
- 10A plug-in cordset fitted
- Full double skin construction
- Auto water fill system with optional integrated water filter kit
- Continuous door seal
- Side hinged door (standard LH hinge). Optional RH hinge (field convertible)
- Off / Prove / Hold mode selection
- Low velocity circulation fan system
- Mechanical thermostat
- Humidity level control
- Dual halogen cabinet interior lamps
- Cabinet temperature display thermometer
- 4 dia. 76mm castors with 2 front castors dual wheel and swivel lock, 2 rigid rear castors
- 100% recyclable packaging

ACCESSORIES

- 400mm x 600mm tray racking kit
- Optional 3M Cuno water filter kit complete with cartridge and connection fittings
- Installs in pre-fitted rear housing of cabinet for flush rear installation

turbofan®

P8M Full Size Manual / Electric Prover/Holding Cabinet

CONSTRUCTION

304 stainless steel interior cabinet
Stainless steel front, sides and top exterior
Stainless steel interior side racks
Stainless steel frame side hinged door
5mm thick door glass
Stainless steel control panel
Aluminised coated steel base and rear panels

CONTROLS

Off / Prove / Holding mode selector switch.
Mechanical thermostat 20-85°C
Air heating ON control panel indicator
Humidity level control
Humidity tank ON control panel indicator
Cabinet temperature thermometer
Auto-fill water system standard

CLEANING

Stainless steel top and side exterior panels
Stainless steel interior chamber
Easy access to all interior surfaces
Fully removable stainless steel rack support
Removable humidity water tank (no tools)

SPECIFICATIONS

Electrical Requirements

230-240V, 50Hz, 1P+N+E, 1.5kW, 6.3A

10A cordset fitted

Water Requirements (optional)

Cold water connection 3/4" BSP male

80psi maximum inlet pressure / 20psi minimum inlet pressure

External Dimensions

Width 735mm

Height 914mm including dia. 76mm castors

Depth 810mm

Prover Internal Dimensions

Width 465mm

Height 730mm

Depth 700mm

Volume 0.24m3

Nett Weight

77.5kg

Packing Data

95.3kg

0.76m3

Width 760mm

Height 1080mm

Depth 925mm

INSTALLATION CLEARANCES

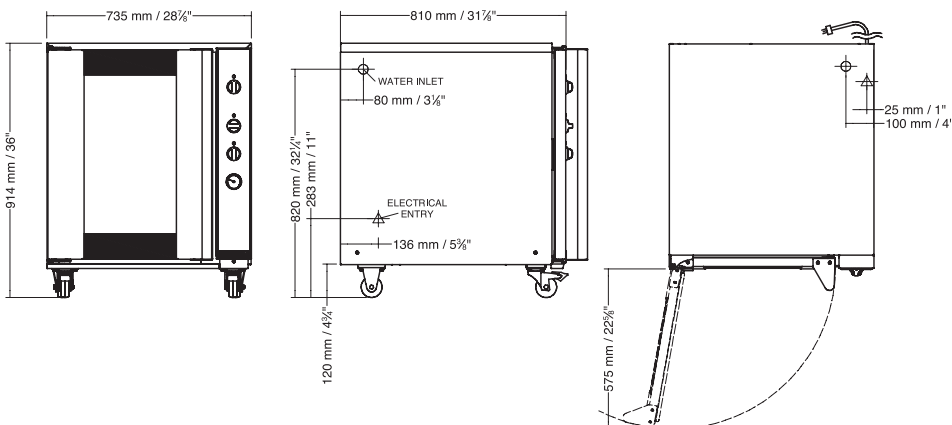
Rear 0mm

LH Side 0mm

RH Side 25mm

CLEARANCE FROM SOURCES OF HEAT

A minimum distance of 300mm from the appliance sides is required



WA DEALER
PRACTICAL PRODUCTS PTY LTD

PH: 08 9302 1299
51 Paramount Dr Wangara WA 6065
sales@practicalproducts.com.au
www.practicalproducts.com.au