



XV4093

Project _____
 Item _____
 Quantity _____
 Date _____

Model
CHEFLUX™

Combi oven	Electric
20 trays GN 2/1	Hinge on the left side
Knob	
Voltage: 380-415V 3N~	



Description

Dry air-steam combi oven with analogical control and 304 stainless steel cooking chamber. Time, temperature, steam percentage and 2 fan speeds function. Allows to perform traditional cooking processes such as steaming, browning, grilling, frying and cooking of fresh and frozen bakery products.

Standard cooking features

Manual cooking

- **Temperature:** 80 °C – 260 °C
- Convection and humidity cooking starting from 80 °C

Key features

- Cooking chamber in high-resistance AISI 304 stainless steel with rounded edges
- Double glass
- Cooking chamber lighting through LED lights embedded in the door
- Tray supports with anti-tip system
- 2-speed fan system and high-performance circular heating elements

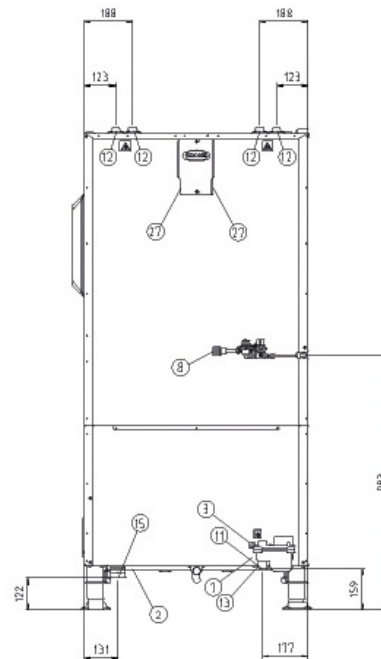
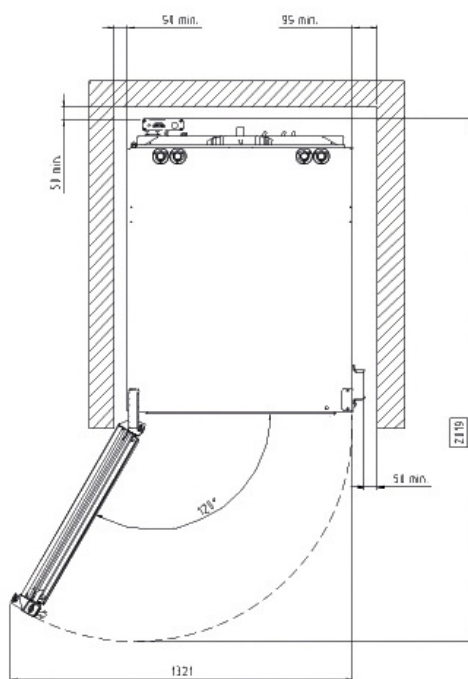
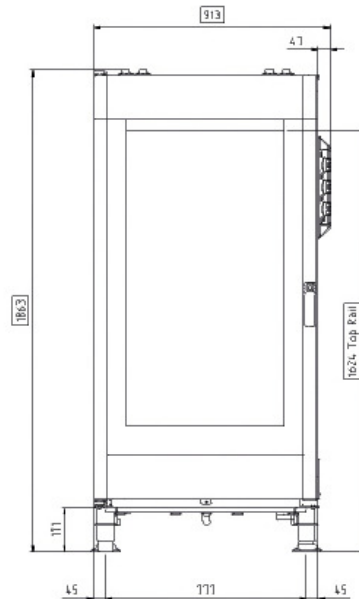
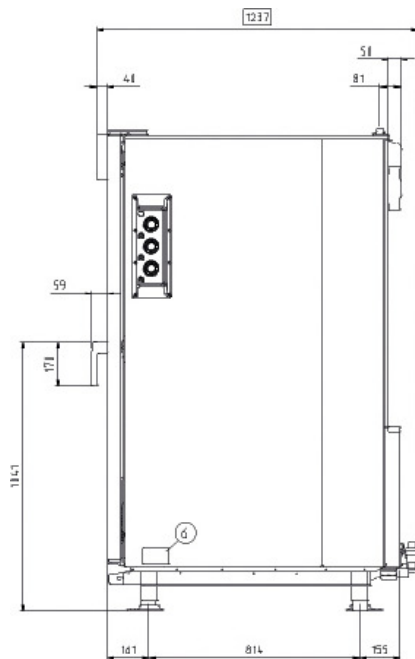
Advanced and automatic cooking features

Unox Intensive Cooking

- **DRY.Plus:** rapidly extracts humidity from the cooking chamber
- **STEAM.Plus:** creates instant humidity
- **AIR.Plus:** multiple fans with reverse gear and 2 speed settings



XV4093



Dimensions and weight

Width	913 mm
Depth	1237 mm
Height	1863 mm
Net weight	285 kg
Tray pitch	66 mm

Connection positions

2	Terminal board power supply
3	Unipotential terminal
6	Technical data plate
7	Safety thermostat
8	3/4" female NPT water inlet
11	Chamber drain pipe

12	Hot fumes exhaust chimney
13	Accessories connection
27	Cooling air outlet



XV4093

Electrical power supply

STANDARD	
Voltage	380-415 V
Phase	~3PH+N+PE
Frequency	50 / 60 Hz
Total power	46.7 kW
Max Amp draw	72 A
Required breaker size	80 A
Power cable requirements*	5G x 16 mm ²
Plug	NOT INCLUDED

*Recommended size - observe local ordinance.

Accessories

- **Cooking Essentials:** special trays
- **QUICK.Load**
- **SPRAY&Rinse:** Practical spray detergent to manually clean all kinds of oven. It degreases and removes all kind of dirt
- **PURE-RO:** Reverse osmosis system that eliminates Chlorides and limescale from water
- **PURE:** resin-based filtering system that eliminates from the water all substances that contribute to the formation of limescale inside the oven cooking chamber

Water Supply

USING A WATER SUPPLY THAT DOES NOT MEET UNOX'S MINIMUM WATER QUALITY STANDARDS WILL VOID ANY WARRANTY.

It is the responsibility of the purchaser to ensure that the incoming water supply is compliant with the listed specifications through adequate treatment measures.

Drinking water inlet: 3/4" NPT*, line pressure:

Line pressure: 22 to 87 psi; 1.5 to 6 Bar (29 psi; 2 Bar recommended)

Inflow water specifications

Free chlorine ≤ 0.5 ppm

Chloramine ≤ 0.1 ppm

pH 7 - 8.5

Electrical conductivity ≤ 1000 µS/cm

Total hardness ≤ 30° dH

Steam circuit: inflow water specifications

Chlorides ≤ 120 ppm

Total hardness ≤ 8 °dH

To avoid the formation of limescale the incoming water must have total hardness ≤ 8°dH.

Installation requirements

Installations must comply with all local electrical systems, particularly as for minimum wire gauge required for field connection, hydraulic and ventilation supply. Exhaust and fume analysis must be performed in case of gas ovens.

WA DEALER
PRACTICAL PRODUCTS PTY LTD

PH: 08 9302 1299
51 Paramount Dr Wangara WA 6065
sales@practicalproducts.com.au
www.practicalproducts.com.au

Register to DDC Service to access data and product specifications.
www.ddc.unox.com