

# Waldorf Bold

## Target Top Gas Static Oven Range 900mm

RNLB8110G



- Heavy-duty cast iron top with removable centre ring
- Matched modular height machined top for seamless work surface
- High output dual ring cast iron burner
- GN 2/1 gas static oven
- Drop down door
- Stainless steel exterior
- Black vitreous enamel finish to front panels
- Easy clean
- Easy service
- Fully modular

### OVERALL CONSTRUCTION

- Galvanized steel chassis
- Welded hob with 1.5mm 304 stainless steel bull nose
- Splashback and hob sides 1.2mm 304 stainless steel
- Front panels and oven sides 0.9mm 304 stainless steel
- 150mm legs in 63mm dia. heavy-duty 1.2mm 304 stainless steel with adjustable feet

### TARGET TOP

- 3 piece heavy-duty cast iron top with fully machined surface
- Top plates and removable centre with integral spill protection design
- Cast top reinforced with integral heat fins for heat zone definition
- 45MJ dual ring cast iron burner with single control
- Full pilot and flame failure protection
- 50mm thick refractory brick lined burner box for high heat retention
- Stainless steel spill tray
- Supplied with heavy-duty centre casting removal tool

### OVEN

- Fully welded and vitreous enamelled oven liner
- GN 2/1 capacity with 4 position racking
- Heavy-duty easy remove heavy wire chrome rack supports
- Cast iron even heat oven sole plate
- 30MJ oven burner
- Pilot and flame failure with piezo ignition
- Welded frame drop down door with heavy-duty spring hinge system
- 0.9mm 304 stainless steel door outer
- 1.0mm press formed vitreous enamelled door inner
- High density fibreglass insulated
- Stay cool stainless steel door handle with cast metal handle mounts
- Supplied with two chrome wire oven racks

### CONTROLS

- Large easy use control knob - heat resistant reinforced
- Easy view control settings on knob

### TARGET TOP

- Variable high to low burner control
- Single control knob for burner and pilot system
- Flame failure pilot burner
- Manual pilot ignition for reliable operation

### OVEN

- 80-300°C thermostatic control
- Piezo ignition to pilot burner
- Flame failure

### CLEANING AND SERVICING

- Removable oven racking and sole plate
- Easy clean vitreous enamel oven and door inner
- Easy clean stainless steel exterior
- Target Top fully serviceable from front of unit
- Bottom sill removable for burner and pilot access
- Door hinge spring adjustable on unit (door outer removed)
- Door disengages for lift off removal and increased service access
- All parts front accessible from installed position

### Series Options

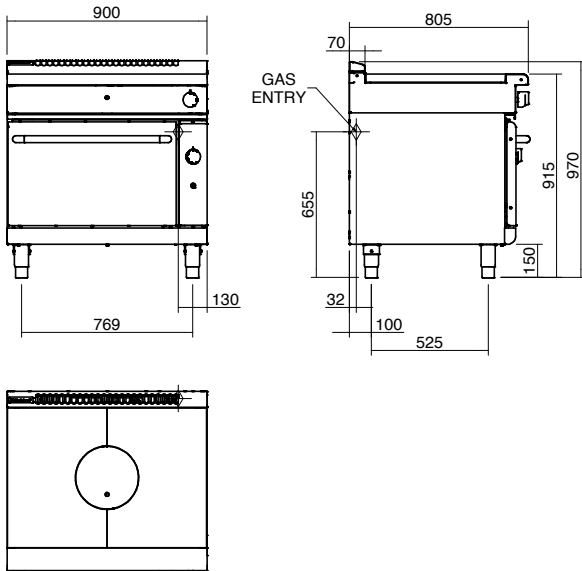
RNLB - Low back models

RNB - 215mm splashback option

# Waldorf Bold

## Target Top Gas Static Oven Range 900mm

RNLB8110G



### SPECIFICATIONS

#### Burners

45MJ dual ring cast iron - Target Top

30MJ tubular - Oven

#### Gas power (gross)

75MJ/hr, 20.8kW

#### Target Top

Cooking surface 900mm x 625mm, 5625cm<sup>2</sup>

Centre 280mm diameter

Maximum plate temperature at centre 500°C

#### Oven Dimensions

Width 665mm

Depth 590mm

Height 385mm

Rack size 660mm x 540mm

Rack positions 4

#### Gas connection

R ¾ (BSP) male

130mm from RH side, 32mm from rear, and 655mm from floor

Optional underside connection (refer specification drawing)

All units supplied with Natural and LP gas regulator

#### Dimensions

Width 900mm

Depth 805mm

Height 915mm

Incl. low back 970mm

Incl. splashback 1130mm

#### Nett weight

259kg

#### Packing data

1.03m<sup>3</sup>, 324kg

Width 945mm

Depth 870mm

Height 1255mm

#### Gas types

Available in Natural gas and LP gas

Please specify when ordering

Units supplied complete with gas type conversion kits

Other gas types on request

#### OPTIONS AT EXTRA COST

Joining caps

Castors

Plinth mounting



**WA DEALER**  
**PRACTICAL PRODUCTS PTY LTD**

PH: 08 9302 1299

51 Paramount Dr Wangara WA 6065

sales@practicalproducts.com.au

www.practicalproducts.com.au