

Technical data sheet for

# ADJUSTABLE ELECTRIC SALAMANDER

SN8100E

---



- 3.6kW
- Self balancing adjustable grill height
- Grilling rack and collection tray
- 1/1 GN pan compatible
- Left and right heat control
- Open on 3 sides allowing easy loading
- Wall mounting bracket option
- Easy to clean

## Overall Construction

- Monocoque construction
- Stainless steel exterior
- Stainless steel tray under grilling area
- Two 1.8kW elements

## Controls

- Large easy use controls
  - Indicator light for each element on
  - Each side controlled by an energy regulator
-

Technical data sheet for

# ADJUSTABLE ELECTRIC SALAMANDER

## Specifications

### Elements

2 x 1.8kW

### Electrical requirements

230-240V, 1P+N+E, 50/60Hz, 3.6kW, 15A

### DIMENSIONS

Width 600mm

Depth 510mm

(540mm with wall mounting bracket)

Height 514mm

### COOKING AREA

Rack size 600mm x 350mm

1/1 GN pan size

### PACKING DATA

0.23m<sup>3</sup>, 53kg

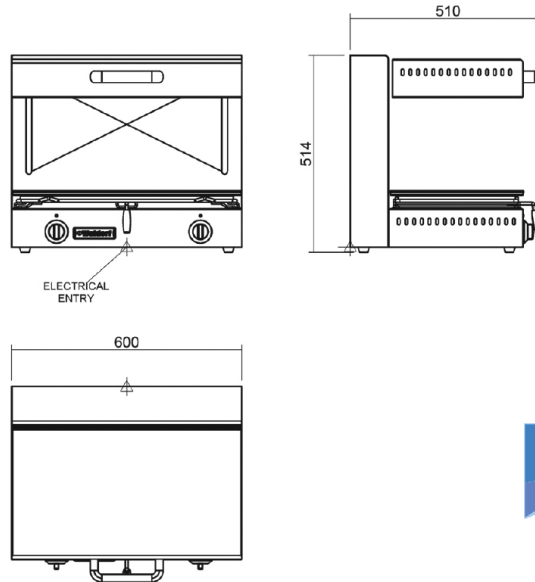
### ELECTRICAL CONNECTION

3 pin plug cordset (15A) fitted

### OPTIONS AT EXTRA COST

Wall mounting bracket

SN8100E



**WA DEALER**  
**PRACTICAL PRODUCTS PTY LTD**

PH: 08 9302 1299  
51 Paramount Dr Wangara WA 6065  
sales@practicalproducts.com.au  
www.practicalproducts.com.au